

Transport technology / Body Components / Door Mountings

Door Mountings

Continuous hinges, door retainers and handles



Table of Contents

Chapter	Product category		Page
Door Mountings	Continuous hinges	TILA continuous hinges	63.01.01.1
		Continuous hinges	63.01.02.1
		Aluminium continuous hinges	63.01.03.1
	Continuous hinges 180°	Hinges	63.02.01.1
	Continuous hinges 270°	Hinges	63.03.01.1
	Door retainers	Hooking door retainers	63.04.01.1
		Magnetic and plastic door retainers	63.04.02.1
		Door strip	63.04.03.1
		Telescopic door retainers	63.04.04.1
	Handles	Handles made of PU / other materials	63.05.01.1
		Recessed handles	63.05.02.1
		Hinged handles	63.05.03.1
		External handles	63.05.04.1
		Internal handles	63.05.05.1
		Accessories	63.05.06.1

Product Index

Numeric

Article No.	Pg.	Article No.	Pg.	Article No.	Pg.	Article No.	Pg.
588 242	63.05.01.1	631 316	63.02.01.5	631 716	63.03.01.12	631 944	63.04.01.2
630 005	63.02.01.4	631 317	63.02.01.5	631 722	63.03.01.2	632 010	63.05.06.1
630 024	63.02.01.4	631 318	63.02.01.6	631 722	63.03.01.4	632 020	63.05.06.1
630 025	63.02.01.4	631 319	63.02.01.6	631 722	63.03.01.7	632 110	63.05.04.1
630 026	63.02.01.4	631 321	63.02.01.11	631 750	63.04.01.1	632 120	63.05.04.1
630 028	63.02.01.4	631 322	63.02.01.12	631 788	63.04.01.4	632 121	63.05.04.1
630 046	63.02.01.4	631 323	63.02.01.11	631 789	63.04.01.4	632 122	63.05.04.1
630 048	63.02.01.4	631 324	63.02.01.12	631 790	63.04.01.4	632 190	63.05.04.2
630 068	63.02.01.4	631 325	63.02.01.10	631 791	63.04.01.4	632 198	63.05.06.1
630 070	63.02.01.4	631 326	63.02.01.10	631 792	63.04.01.4	632 230	63.05.05.1
630 110	63.02.01.4	631 327	63.02.01.3	631 795	63.04.01.4	632 240	63.05.05.1
631 218	63.01.01.2	631 328	63.02.01.3	631 798	63.04.01.5	632 241	63.05.05.1
631 220	63.01.01.2	631 330	63.02.01.13	631 800	63.04.02.2	633 012	63.05.01.2
631 222	63.01.01.2	631 332	63.02.01.13	631 805	63.04.02.2	633 020	63.05.03.1
631 224	63.01.01.2	631 334	63.02.01.13	631 820	63.04.02.1	633 050	63.05.01.2
631 227	63.01.01.2	631 335	63.02.01.13	631 830	63.04.02.1	633 055	63.05.01.3
631 230	63.01.01.2	631 336	63.02.01.14	631 840	63.04.02.1	633 065	63.05.01.3
631 238	63.01.01.3	631 337	63.02.01.14	631 860	63.04.02.2	633 070	63.05.01.4
631 240	63.01.01.3	631 338	63.02.01.13	631 865	63.04.02.1	633 075	63.05.01.4
631 242	63.01.01.3	631 402	63.01.03.1	631 874	63.04.01.2	633 115	63.05.01.5
631 244	63.01.01.3	631 404	63.01.03.1	631 874	63.04.01.4	633 120	63.05.01.5
631 245	63.01.01.3	631 415	63.01.02.1	631 876	63.04.01.3	633 211	63.05.02.1
631 247	63.01.01.3	631 440	63.01.02.1	631 878	63.04.01.2	633 410	63.05.01.6
631 250	63.01.01.3	631 530	63.03.01.5	631 878	63.04.01.3	633 420	63.05.01.6
631 255	63.01.01.3	631 532	63.03.01.8	631 879	63.04.01.3	633 501	63.05.01.1
631 262	63.01.01.4	631 533	63.03.01.8	631 884	63.04.01.3	633 510	63.05.04.2
631 265	63.01.01.4	631 535	63.03.01.8	631 884	63.04.01.4	633 511	63.05.04.2
631 270	63.01.01.4	631 560	63.03.01.3	631 895	63.04.03.1		
631 295	63.02.01.1	631 565	63.03.01.1	631 895	63.04.03.2		
631 297	63.02.01.1	631 586	63.03.01.9	631 901	63.04.04.1		
631 299	63.02.01.1	631 589	63.03.01.9	631 901	63.04.04.2		
631 301	63.02.01.5	631 626	63.03.01.3	631 903	63.04.04.1		
631 303	63.02.01.5	631 630	63.03.01.6	631 903	63.04.04.2		
631 306	63.02.01.3	631 636	63.03.01.6	631 904	63.04.04.1		
631 307	63.02.01.3	631 641	63.03.01.10	631 904	63.04.04.2		
631 308	63.02.01.7	631 642	63.03.01.10	631 906	63.04.04.1		
631 309	63.02.01.7	631 643	63.03.01.11	631 906	63.04.04.2		
631 310	63.02.01.2	631 644	63.03.01.11	631 907	63.04.04.3		
631 311	63.02.01.8	631 651	63.03.01.12	631 920	63.04.01.2		
631 312	63.02.01.9	631 652	63.03.01.12	631 920	63.04.01.3		
631 313	63.02.01.8	631 660	63.03.01.4	631 922	63.04.01.2		
631 314	63.02.01.9	631 666	63.03.01.2	631 940	63.04.01.2		
631 315	63.02.01.2	631 715	63.03.01.12	631 942	63.04.01.3		

TILA continuous hinges

TILA continuous hinge

Advantages:

- Suitable for doors, tailgates, covers and flaps
- Only minimal external protrusion. A contribution towards road safety since the risk of injury caused by dangerous, protruding fittings, is eliminated
- Hinge and seal all-in-one - along the entire length
- Absolute precision - when in the closed position the two aluminium profiles interlock together. They can only be dismantled when the door, tailgate, cover are open. Forced entry can only be made by cutting the plastic profile, leaving behind visible evidence
- Virtually no wear
- Totally maintenance-free - has been in practical use for more than two decades, primarily in the bodywork and vehicle area, tried and tested
- Supplied ready-assembled in standard and special lengths (by request)

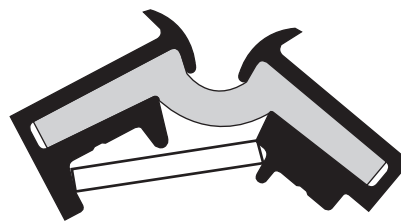
The Function

The „hinge“ takes a specially moulded plastic profile made from a special POLYURETHANE elastomer with permanent elasticity and high tear resistance.

Opening angles of more than 180° or 270° are achieved depending upon the profile design. Continuous stress when in the open position requires the use of a holding mechanism to keep the hinge open, e.g. in the case of doors - a Door retainer.

Potential Uses

Can be fitted to doors, tailgates, lids of all kind, as single element or as an add-on unit (for so-called folding or concertina designs), in bodywork and vehicle construction, for boot and van fixings, sales vehicles and buses etc. For use wherever flaps, lids and doors are required.



Installation

Is extremely simple since the TILA continuous hinge is supplied in the open position using spacers and with holes already pre-drilled, ready for installation.

1. Attach the TILA continuous hinge to door, flap or lid
2. Fit the installation element to the installation frame and attach the 2nd blade of the TILA continuous hinge to it
3. If you open the door, flap or lid further out the spacers fall out and the door, flap or lid is hinged and ready to use

As with many “synthetic“ materials, care should be taken when subjecting the hinge to specific and specialised influences which may have unexpected detrimental effects. These include, amongst others hydrolysis, microbe infestation, sudden mechanical stresses (e.g. sudden opening) in conjunction with extremely low temperatures, corrosive acids, alkaline solutions and cleaning agent additives.

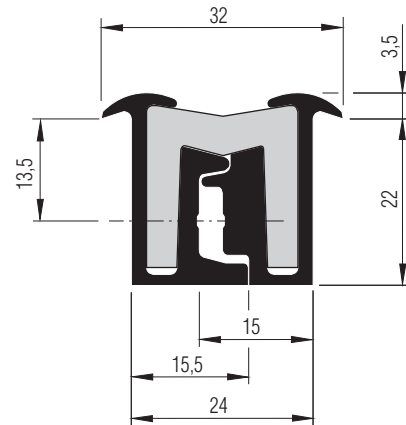
Moreover, we would ask you to consult us if you have any enquiries so we can provide you with optimum advice. The above mentioned technical data, information and recommendations are intended as a guide but is not binding! These reflect our latest knowledge at the time this product information was submitted for printing and does not exempt the user from carrying out their own precise examination of the potential uses for our products in each individual case.

TILA continuous hinges

TILA continuous hinge 22/180° „Super“

- Temperature resistant from approx. -40°C to approx. +80°C short periods +120°C
- Without any mechanical damage
- Hydrolysis and bacteria-resistant

Pack Size: 2 off Sealed in plastic wrapping.
Materials: Aluminium clamping profile AlMgSi 0.5, anodised, E6 EV1, matt silver colour, Polyurethane elastomer plastic profile, black



Length ¹ [mm]	Installation width [mm]	depth [mm]	Hole ø [mm]	gap [mm]	Holes [Pieces]	Weight approx. [kg/each]	Article No.
1800	24	22	4	100	18	1.900	631 218
2000	24	22	4	100	20	2.100	631 220
2200	24	22	4	100	22	2.350	631 222
2400	24	22	4	100	24	2.550	631 224
2700	24	22	4	100	27	3.000	631 227
3000	24	22	4	100	30	3.250	631 230

¹ Special lengths/special bores and distances between holes available on request

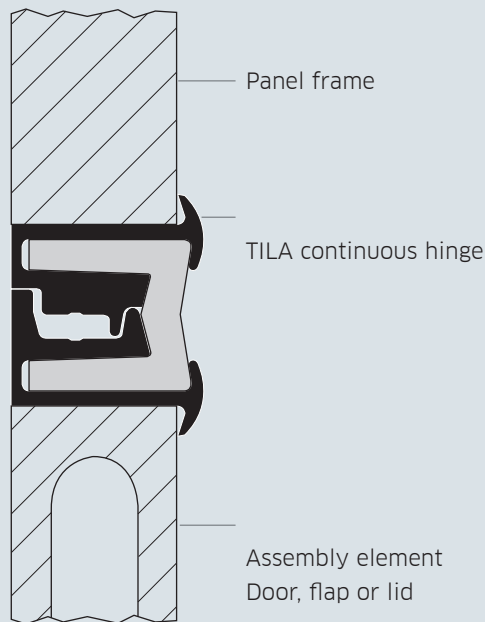


Figure 2

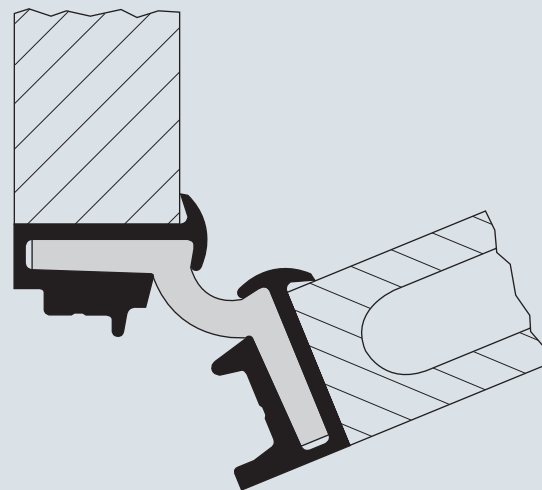


Figure 3

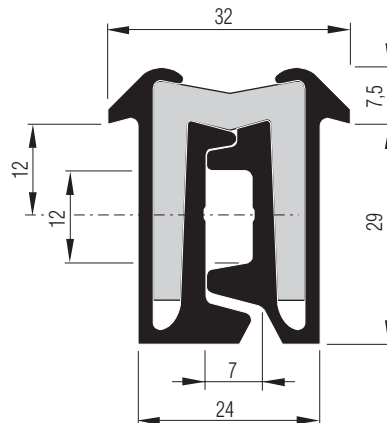
Suggested installation, non-binding - particularly important for flaps and lids.
 The TILA 22/180° continuous hinge should be installed as shown in Figure 2 and 3.
 Note the correct arrangement of the various aluminium clamping profiles on the panel and assembly element.

TILA continuous hinges

TILA continuous hinge 29/180° „Super“

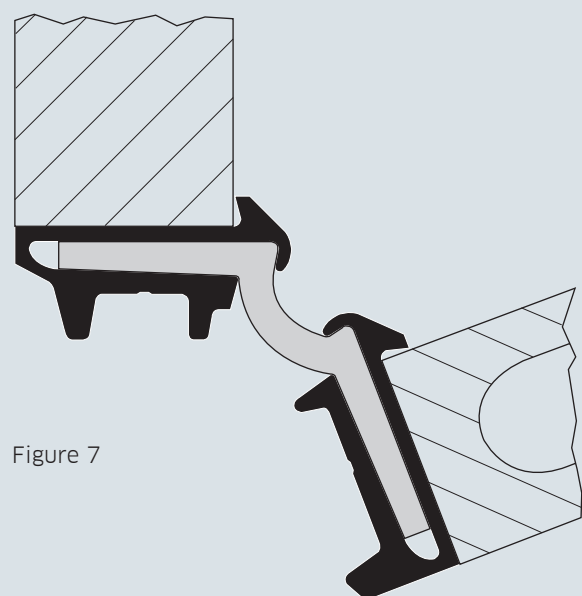
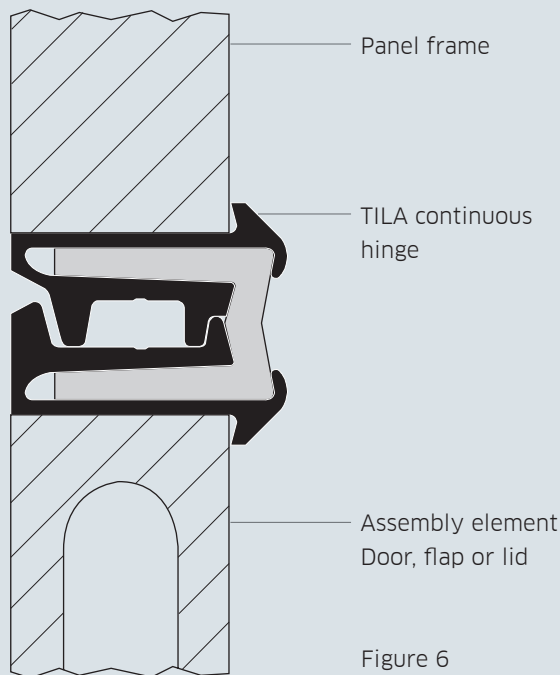
- Temperature resistant from approx. -40°C to approx +80°C, short periods +120°C
- Without any mechanical damage
- Hydrolysis and bacteria-resistant

Pack Size: 2 off sealed in plastic wrapping.
Materials: Aluminium clamping profile AlMgSi 0.5, anodised, E6 EV1, matt silver colour¹, Polyuethane elastomer plastic profile, black



Length ¹ [mm]	Installation width [mm]	depth [mm]	Hole ø [mm]	gap [mm]	Holes [Pieces]	Weight approx. [kg/each]	Article No.
1800	24	29	5.0	200	9	2.600	631 238
2000	24	29	5.0	200	10	2.900	631 240
2200	24	29	5.0	200	11	3.150	631 242
2400	24	29	5.0	200	12	3.450	631 244
2500	24	29	5.0	200	13	3.800	631 245
2700	24	29	5.0	200	13	4.100	631 247
3000	24	29	5.0	200	15	4.600	631 250
3500	24	29	5.0	200	17	5.400	631 255

¹ Special lengths/special bores and distances between holes available on request



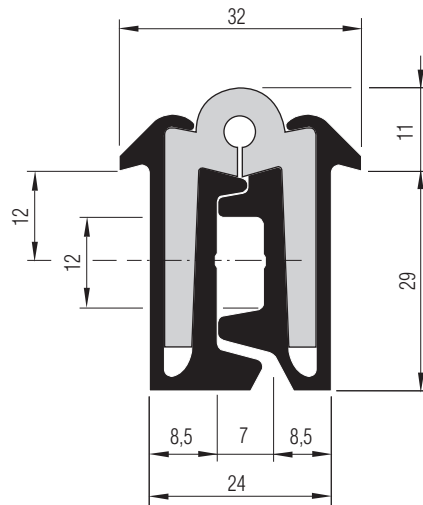
Suggested installation, non-binding - particularly important for flaps and lids.
 Note the correct arrangement of the various aluminium clamping profiles on the panel and assembly element!

TILA continuous hinges

TILA continuous hinge 29/270° „Super“

This TILA continuous hinge offers a 270° opening angle. The non-binding installation suggestions set out below, using the example of a rear door and frame assembly on a commercial vehicle, clearly show:

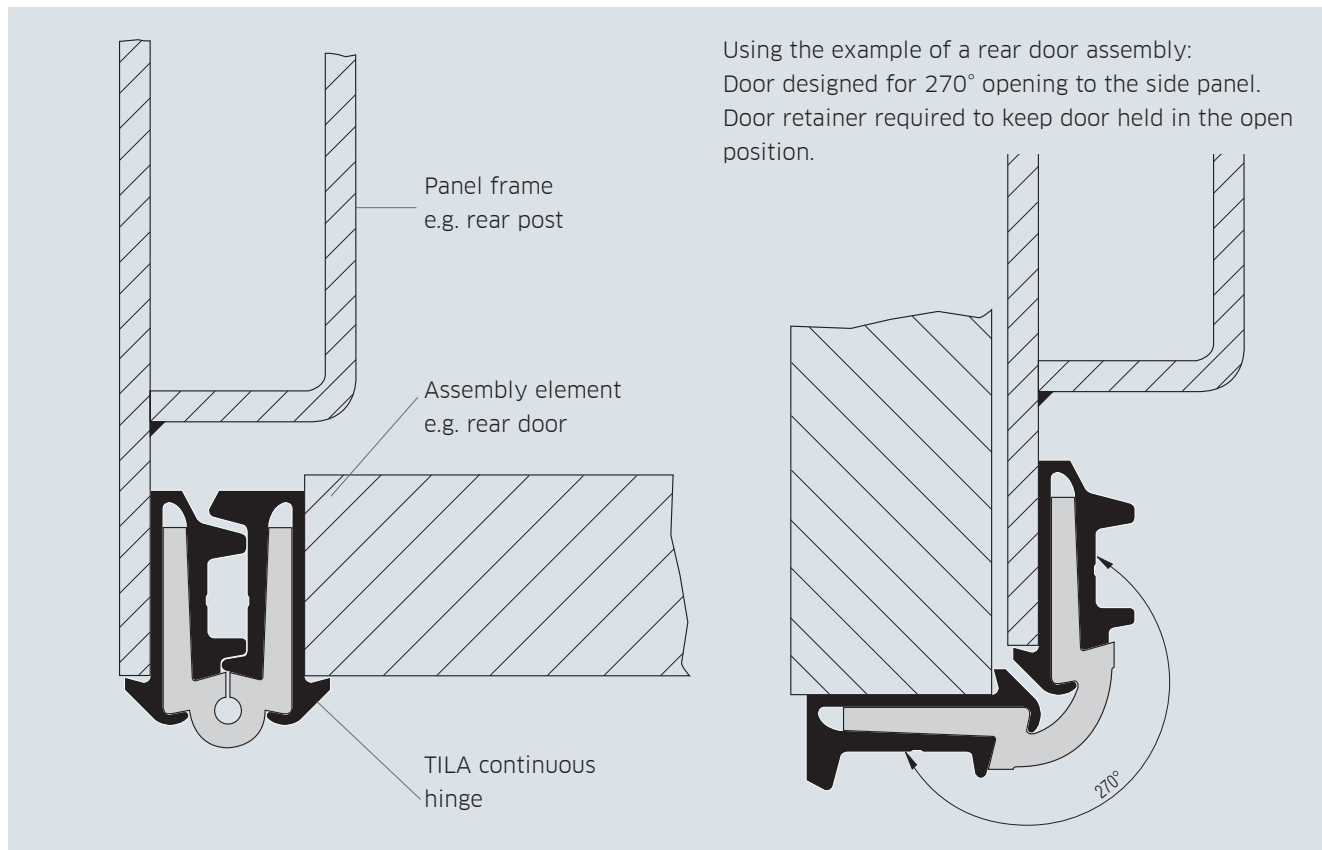
- Door outer surface flush with the corner post, giving longer loading area
- „Knuckle“ hinge - rear protrusion only approx. 11 mm:
An advantage for trailers with short coupling systems!
- Temperature resistant from approx. -40°C to approx. +80°C, short periods +120°C
- Without any mechanical damage. Hydrolysis and bacteria-resistant.



Pack Size: 2 off sealed in plastic wrapping.
Materials: Aluminium clamping profile AlMgSi 0.5, anodised, E6 EV1, matt silver colour, Polyurethane elastomer plastic profile, black

Length ¹ [mm]	Installation width [mm]	depth [mm]	Hole ø [mm]	gap [mm]	Holes [Pieces]	Weight approx. [kg/each]	Article No.
2200	24	29	5.0	200	11	3.230	631 262
2500	24	29	5.0	200	13	3.900	631 265
3000	24	29	5.0	200	15	4.700	631 270

¹ Special lengths/special bores and distances between holes available on request

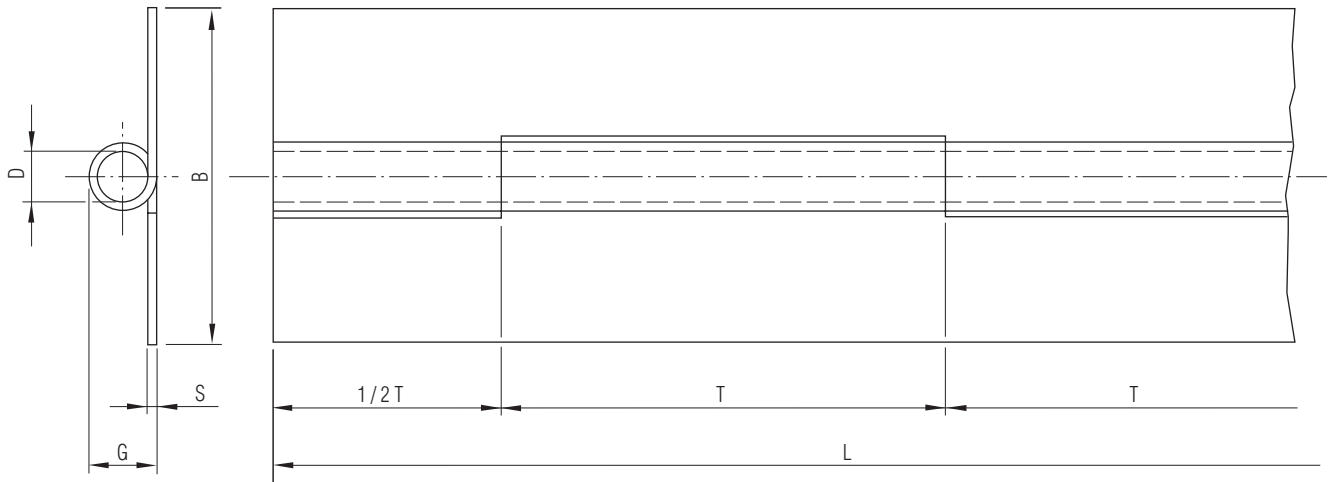


Using the example of a rear door assembly:
 Door designed for 270° opening to the side panel.
 Door retainer required to keep door held in the open position.

All technical specifications contained in this brochure are approximate and no guarantee is given as to their accuracy. Designs are subject to change.

TILA continuous hinge drawings shown in the scale of 1:1.

Continuous hinges



Open width B [mm]	Rod length L [mm]	Blade thickness S [mm]	Pin- ø D [mm]	Knuckle height G [mm]	Knuckle division T [mm]	Material Blades	Pin	Surface	Weight approx. [kg/mtr.]	Article No.
45	3500	1.50	8	11.5	60	Stahl	Stahl	blank	1.125	631 415
60	2000	2.00	6	10.5	30	Aluminium	Edelstahl	blank	0.650	631 440

Other versions available on request

Aluminium continuous hinges

Aluminium profile hinge

Suitable solely for horizontal hinged flaps and lids - not for doors! Absolute precision, must only be dismantled in the open position!

- Length:** 6000 mm
- Material:** Aluminium AlMgSi 0.8, F28
Flap profile (631 402) mill finish
Frame profile (631 404) anodised
E6 EV1, matt silver colour
- Weight:** Combined (both profiles) approx.
1.100 kg/m
- Article No.** **631 402** - Flap profile
631 404 - Frame profile

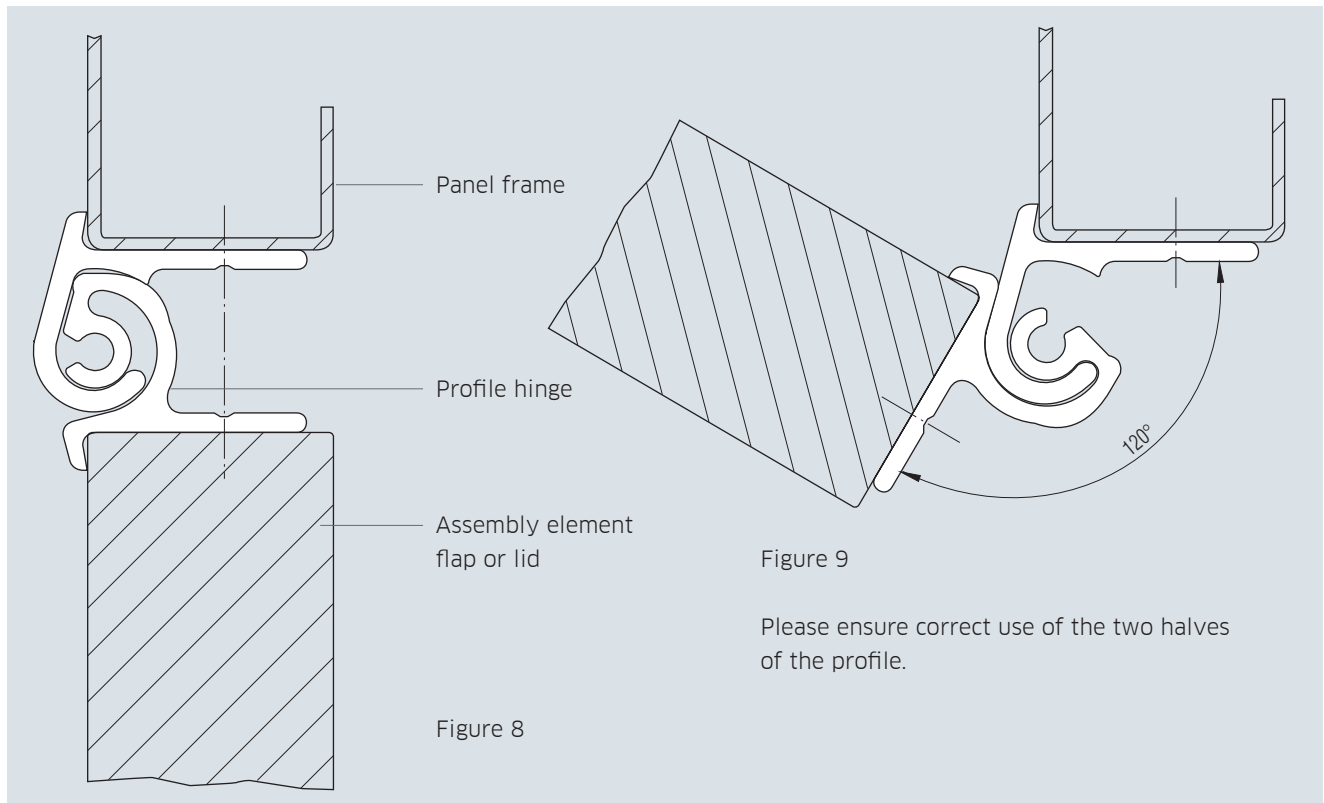
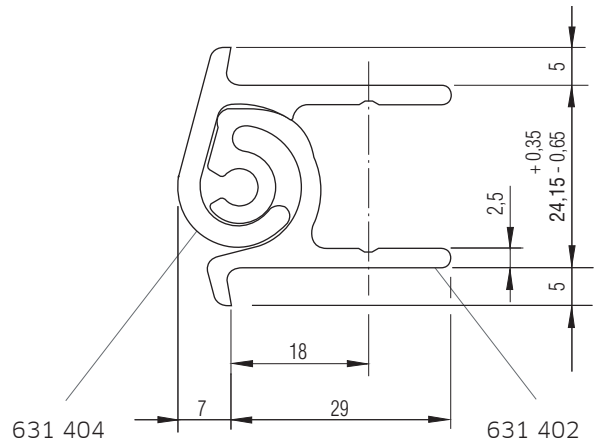


Figure 9

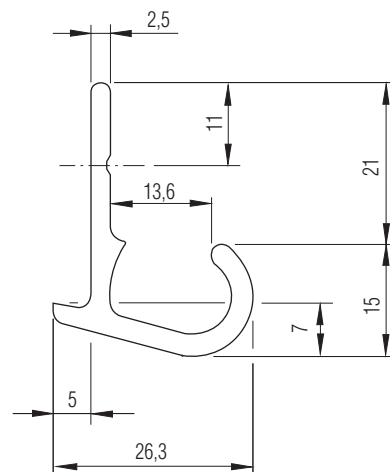
Please ensure correct use of the two halves of the profile.

Figure 8

Rainwater channels

The frame profile Article No. 631 404 is ideal for use as a rainwater channel. See adjacent diagram:

- Length:** 6000 mm
- Material:** AlMgSi 0.8, F28, anodised,
E6 EV1, colour silver
- Weight:** approx. 0.500 kg/m



631 404

All technical specifications contained in this brochure are approximate and no guarantee is given as to their accuracy. Designs are subject to change.

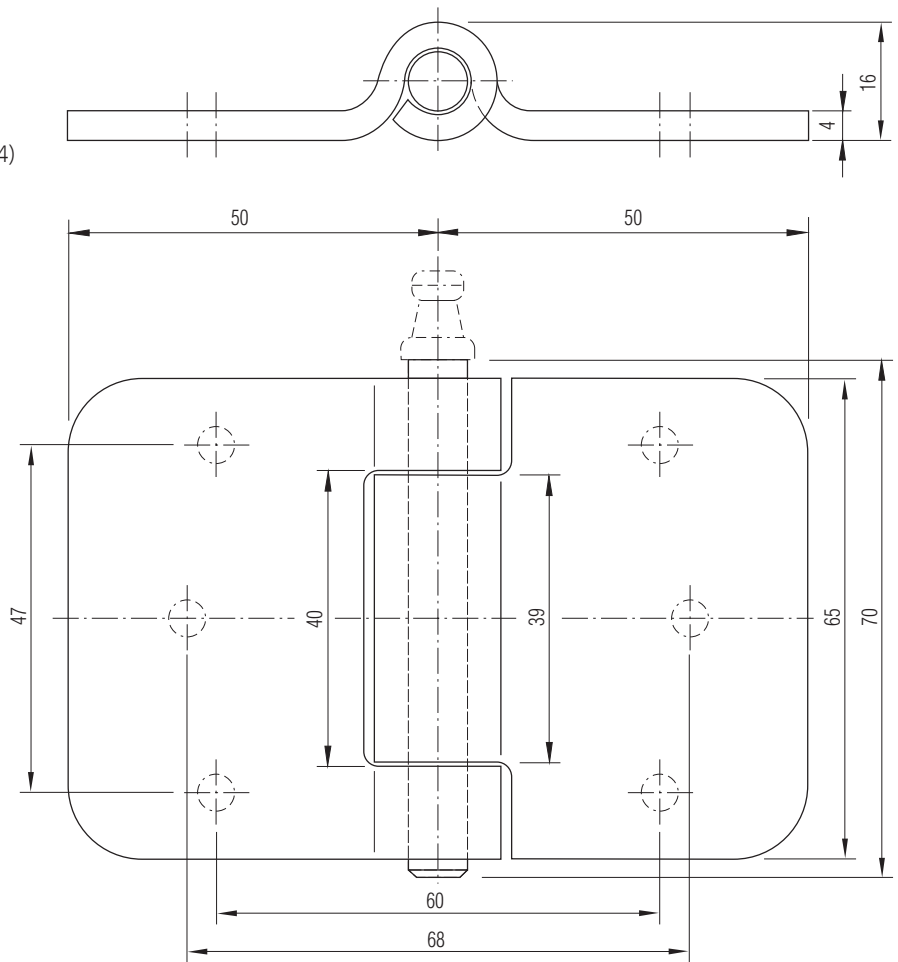
TILA continuous hinge drawings shown in the scale of 1:1.

Continuous hinges 180° isosceles, straight

Equal hinge (isosceles), straight

- Both blades without joggle
- Blade ends rounded, with spherical grease nipple (DIN 714)
- Hinge blades non-drilled
- Knuckle pin height 16 mm
- Hinge pin dia. 8 mm
- Opening angle 180°

Material: Steel, electro galvanised
Hinge pin - brass
Weight: approx. 0.280 kg/each
Article No. 631 295



Equal hinge (isosceles), straight

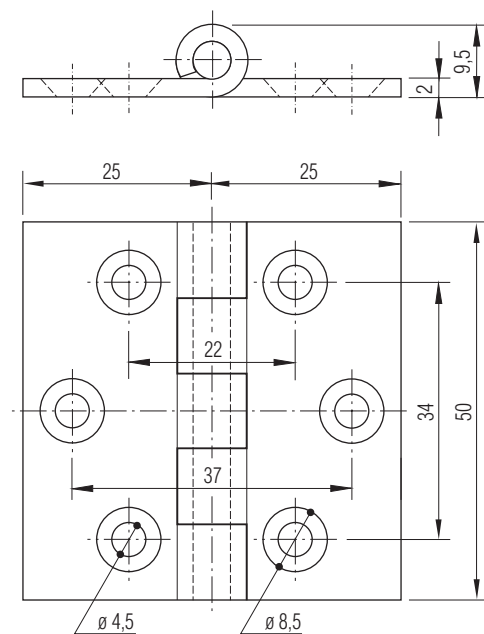
As above, but with 3 fixing holes, dia. 5.5 mm per blade, but without grease nipple

Article No. 631 297

Equal hinge (isosceles), straight

- Both blades without joggle
- Six fixing holes dia. 4.5 mm

Knuckle pin height: 9.5 mm
Hinge pin ø: 5 mm
Opening angle: 180°
Material: Stainless steel
Weight: approx. 0.060 kg/each
Article No. 631 299



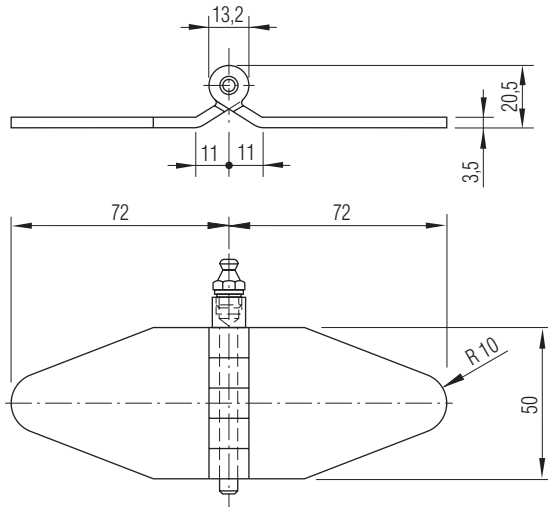
Continuous hinges 180° isosceles, with joggle

Equal hinge (isosceles), with joggle

With open knuckle

- Blade ends rounded and with spray grease nipple
- Hinge blades non-drilled

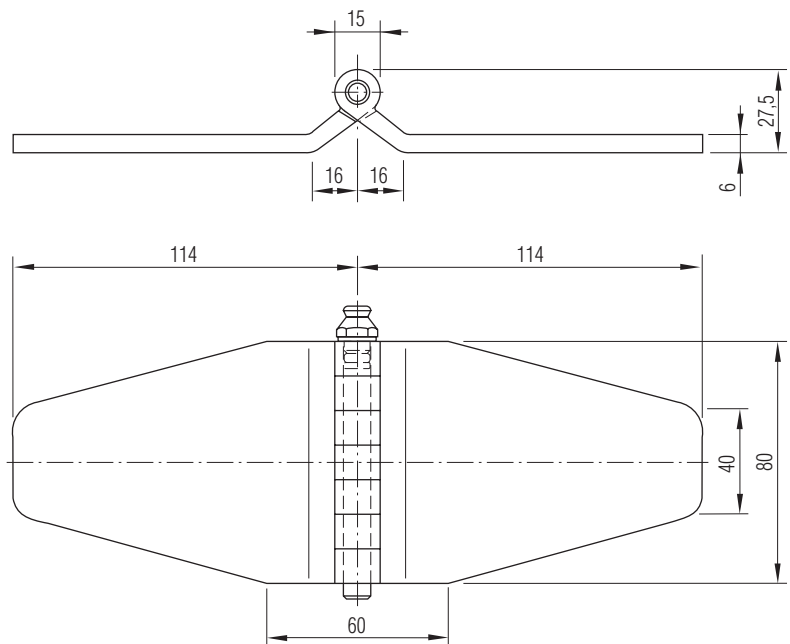
Hinge pin ø: 8 mm
Opening angle: 180°
Material: Steel, electro galvanised
Weight: approx. 0.570 kg/each
Article No. 631 310



Equal hinge (isosceles), with joggle

- Blade ends rounded and with spray grease nipple
- Hinge blades non-drilled

Hinge pin ø: 8 mm,
Opening angle: 180°
Material: Steel, electro galvanised
Weight: approx. 0.780 kg/each
Article No. 631 315

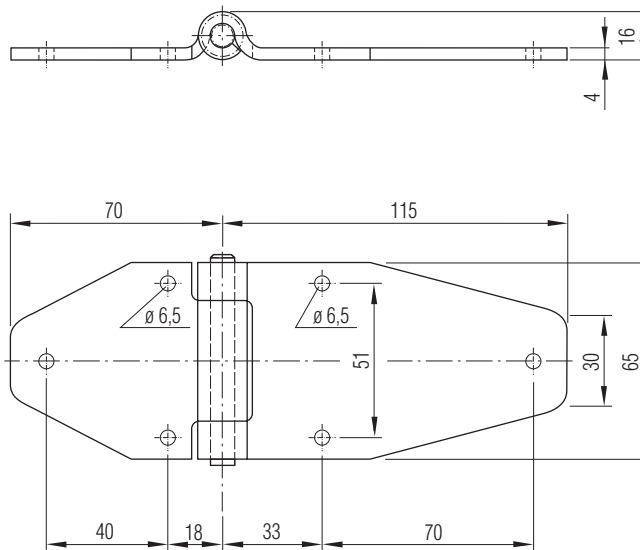


Continuous hinges 180° Type 115 and 122, straight

Hinge 115 straight

- Both blades without joggle
- Blade ends rounded, without grease nipple
- Three fixing holes, \varnothing 6.5 mm
- Material thickness 4 mm
- Knuckle pin height 16 mm
- Hinge pin, \varnothing 8 mm
- Opening angle 180°

Material: Steel, electro galvanised
Weight: approx. 0.400 kg/each
Article No. 631 307



Hinge 115 straight

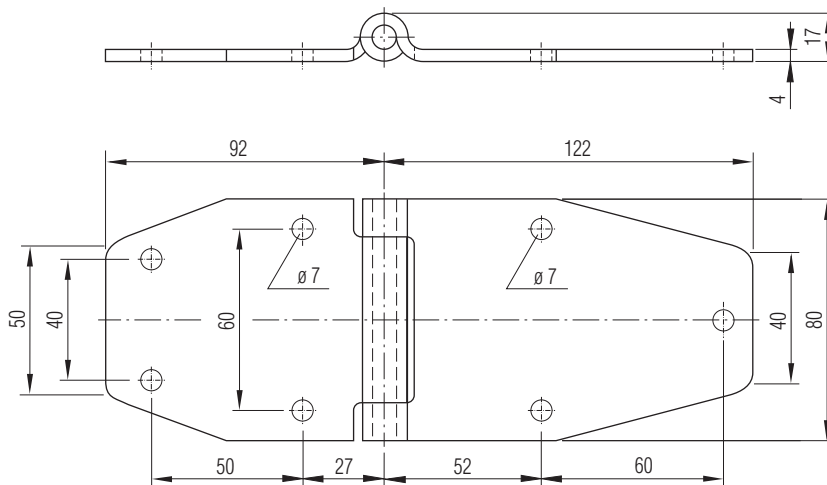
As above, but with grease nipple

Material thickness: 2.5 mm
Height: 14.5 mm
Material: Stainless steel, polished
Weight: approx. 0.245 kg/each
Article No. 631 306

Hinge 122 straight

- Both blades without joggle
- Blade ends rounded
- Long blade with 3 fixing holes, \varnothing 7 mm
- Short blade with 4 fixing holes, \varnothing 7 mm
- Hinge pin, \varnothing 8 mm
- Opening angle 180°

Material: Steel, electro galvanised
Weight: approx. 0.530 kg/each
Article No. 631 328



Hinge 122 straight

As above, but

Material: Stainless steel, polished
Weight: approx. 0.325 kg/each
Article No. 631 327

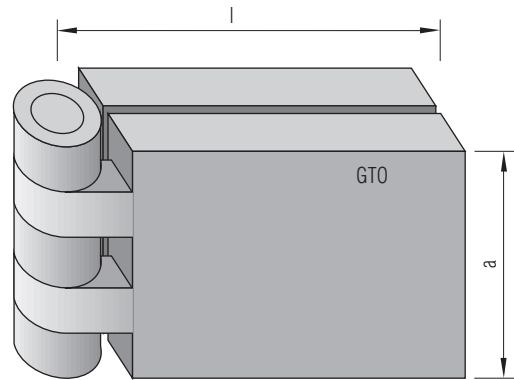
Continuous hinges 180° Straight continuous hinge

Straight continuous hinge

With open knuckle and single hinge pin

Material: Mild steel, blank
Knuckle polished

Width a [mm]	Length l [mm]	Blade thickness [mm]	Hinge pin ø [mm]	Weight approx. [kg/each]	Article No.
30	50	5	6	0.135	630 005
40	40	5	6	0.155	630 024
	50			0.175	630 025
	60			0.210	630 026
	80			0.325	630 028
50	60	5	6	0.260	630 046
	80			0.335	630 048
60	80	6	8	0.490	630 068
	100			0.600	630 070
80	100	6	8	0.800	630 110

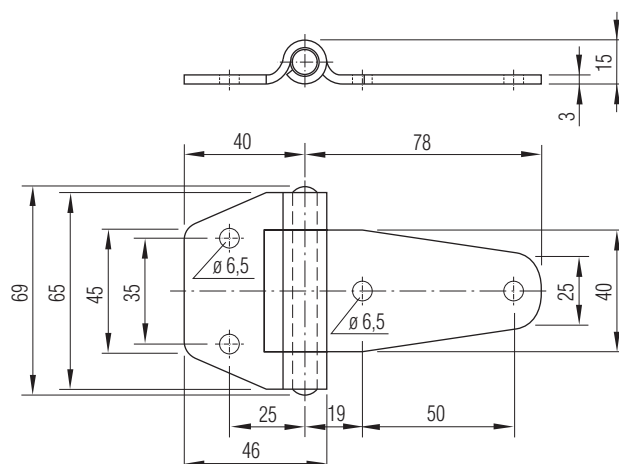


Continuous hinges 180° Type 78 and 100, straight

Hinge 78 straight

- Short and long blade without joggle
- Blade ends rounded
- Two fixing holes, \varnothing 6.5 mm
- Hinge pin dia. 8 mm
- Opening angle 180°

Material: Steel, electro galvanised
Weight: approx. 0.179 kg/each
Article No. 631 316



Hinge 78 straight

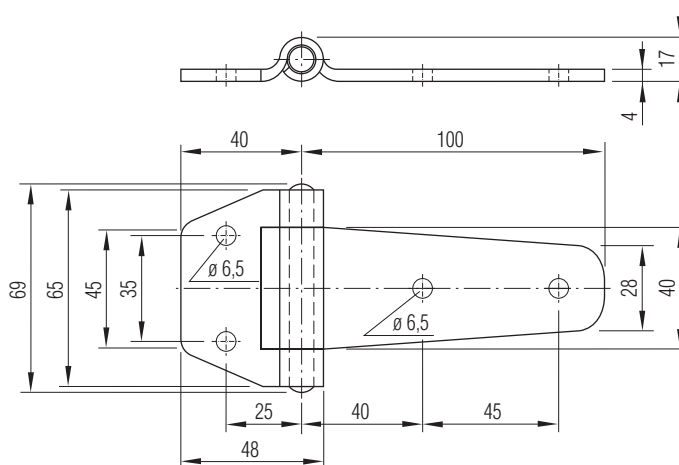
As above, but

Material: Stainless steel, polished
Article No. 631 317

Hinge 100 straight

- Short and long blade without joggle
- Blade ends rounded
- Two fixing holes, \varnothing 6,5 mm

Hinge pin \varnothing : 8 mm
Opening angle: 180°
Material: Steel, galvanised
Weight: ca. 0.270 kg/each
Article No. 631 301



Hinge 100 straight

As above, but

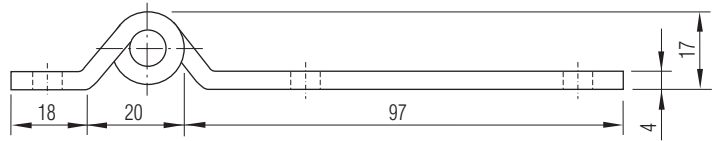
Material: Stainless steel, polished
Article-No. 631 303

Continuous hinges 180° Type 105, straight

Hinge 105 straight

- Short and long blade without joggle
- Four fixing holes, \varnothing 6.5 mm
- Knuckle pin, \varnothing 16 mm
- Knuckle pin height 17 mm
- Hinge pin, \varnothing 8 mm
- Opening angle 180°

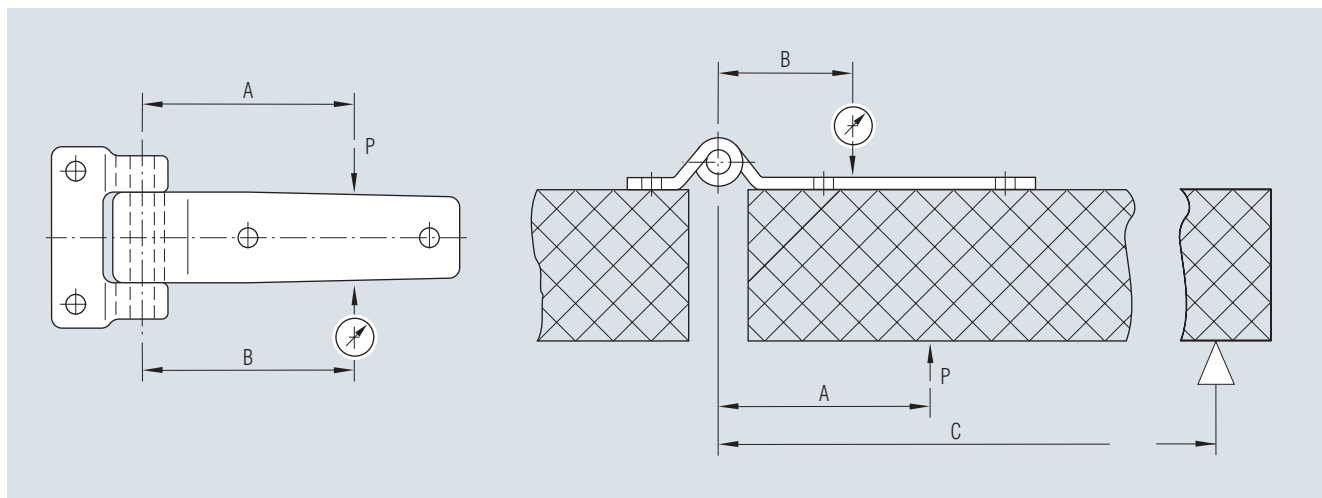
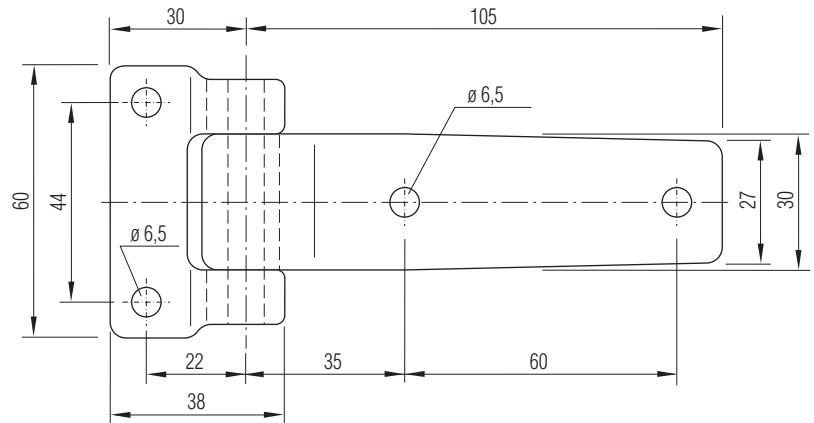
Material: Steel, electro galvanised
Weight: approx. 0.195 kg/each
Article No. 631 318



Hinge 105 straight

As above, but

Material: Stainless steel, polished
Article No. 631 319



Fixing data (applicable for stainless steel version 631 319)

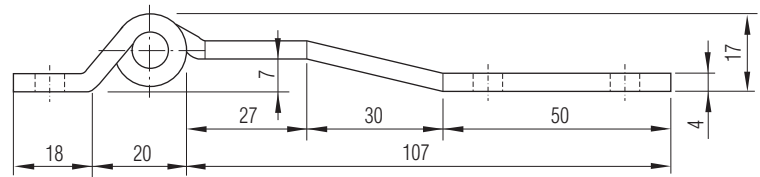
Fig.	Load	P = max. load when functioning properly [kg]	Max. deformation flexibility range [mm]	permanent deformation [mm]	A = distance between hinge pin and load point [mm]	B = distance between hinge pin and test point [mm]	C = distance between hinge pin and abutment (fixing point) [mm]
1	Flexing (vertical)	50	1.0	0.10	115	115	-
2	Pressure (internal)	280	1.3	0.09	90	75	470

Continuous hinges 180° Type 115, with joggle

Hinge 115 with joggle

- Short blade without joggle, long blade with joggle
- Four fixing holes, \varnothing 6.5 mm
- Material thickness 7 mm
- Knuckle pin, \varnothing 16 mm
- Knuckle pin height 17 mm
- Hinge pin, \varnothing 8 mm
- Opening angle 180°

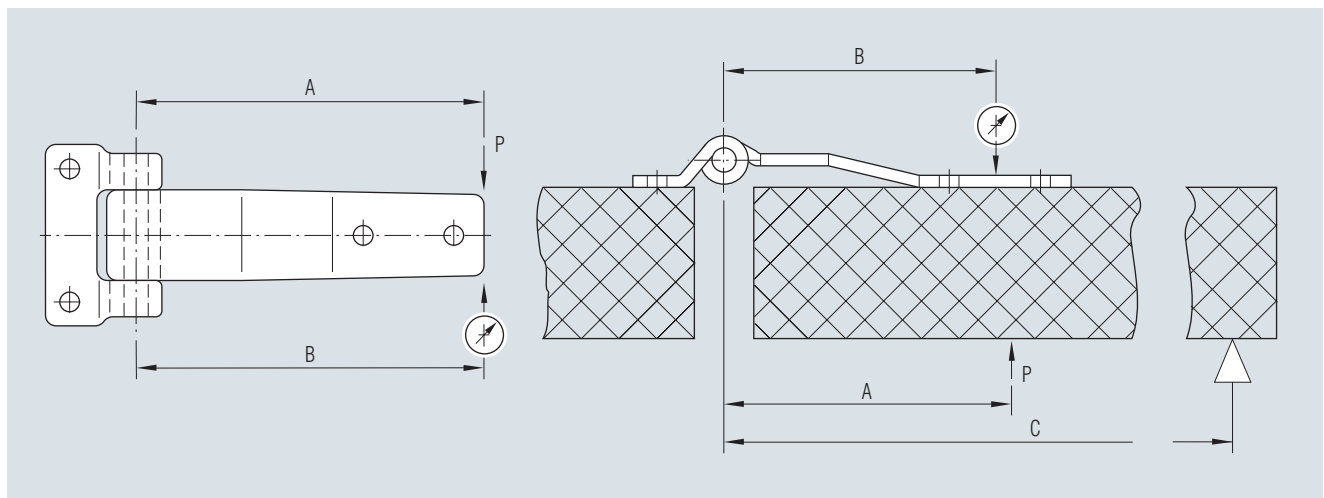
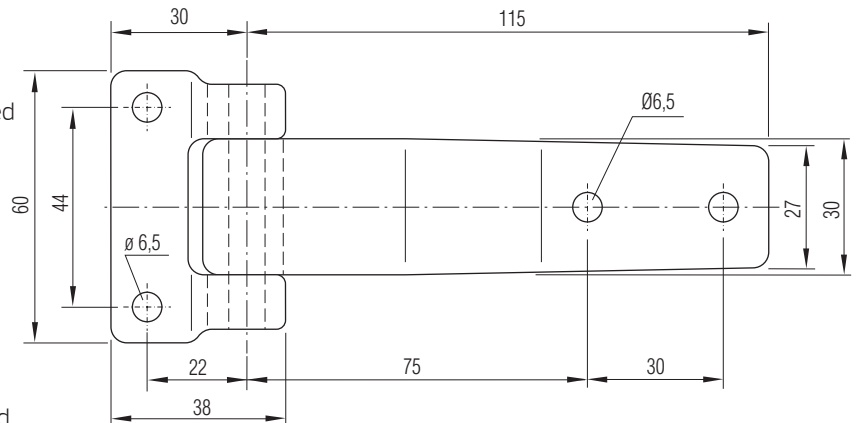
Material: Steel, electro galvanised
Weight: approx. 0.200 kg/each
Article No. 631 308



Hinge 115 with joggle

As above, but

Material: Stainless steel, polished
Article No. 631 309



Fixing data (applicable for stainless steel version 631 309)

Fig.	Load	P = max. load when functioning properly [kg]	Max. deformation flexibility range [mm]	permanent deformation [mm]	A = distance between hinge pin and load point [mm]	B = distance between hinge pin and test point [mm]	C = distance between hinge pin and abutment (fixing point) [mm]
1	Flexing (vertical)	35	1.0	0.1	115	115	-
2	Pressure (internal)	35	1.2	0.1	95	90	470

Continuous hinges 180° Type 108, straight

Hinge 108 straight

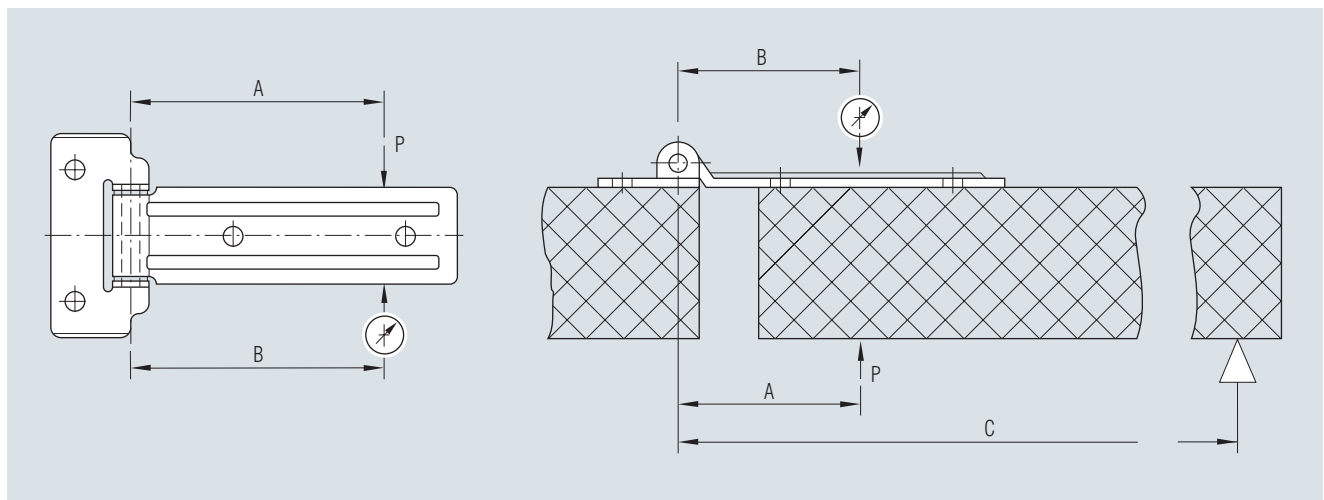
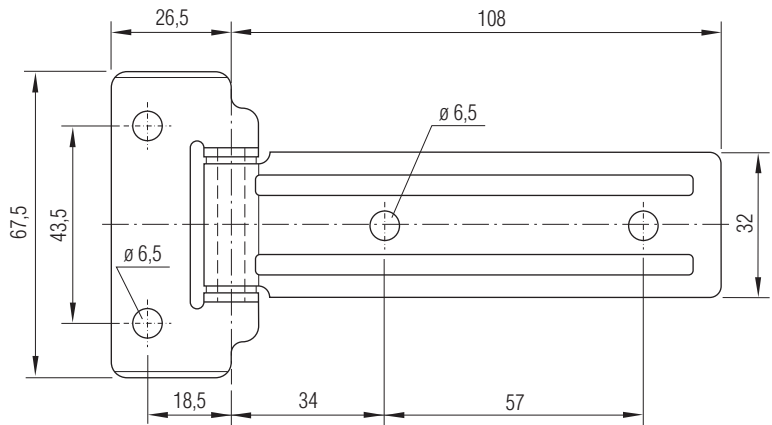
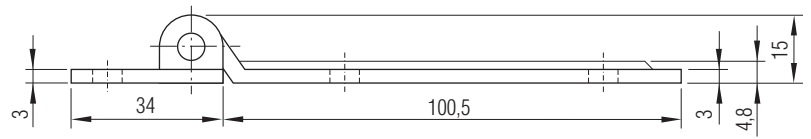
- Short and long blade without joggle
- Short blade angled on the width sides
- Long blade with 2 reinforcement ribs
- Four fixing holes, $\varnothing 6.5$ mm
- Knuckle pin height 14 mm
- Hinge pin, $\varnothing 6$ mm
- Opening angle 180°

Material: Steel, electro galvanised
Weight: approx. 0.140 kg/each
Article No. 631 311

Hinge 108 straight

As above, but

Material: Stainless steel, polished
Article No. 631 313



Fixing data (applicable for stainless steel version 631 313)

Fig.	Load	P = max. load when functioning properly [kg]	Max. deformation flexibility range [mm]	permanent deformation [mm]	A = distance between hinge pin and load point [mm]	B = distance between hinge pin and test point [mm]	C = distance between hinge pin and abutment (fixing point) [mm]
1	Flexing (vertical)	18	1.60	0.20	84	84	-
2	Pressure (internal)	150	0.95	0.11	60	60	440

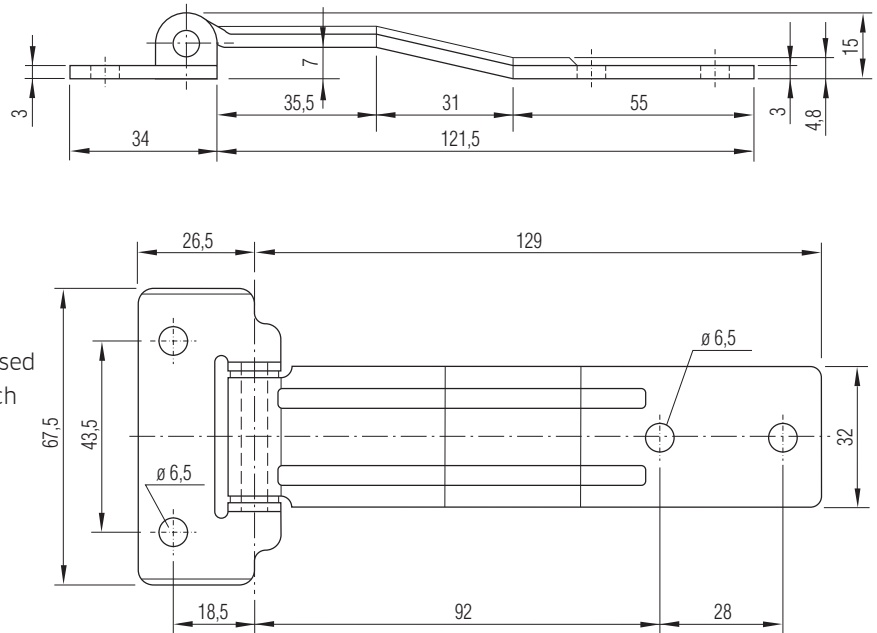
All technical specifications contained in this brochure are approximate and no guarantee is given as to their accuracy. Designs are subject to change.

Continuous hinges 180° Type 129, with joggle

Hinge 129 with joggle

- Short blade without joggle, angled on the width sides for stabilisation
- Long blade with joggle, 7 mm high, with 2 reinforcement ribs
- Four fixing holes, \varnothing 6.5 mm
- Knuckle pin height 14 mm
- Hinge pin, \varnothing 6 mm

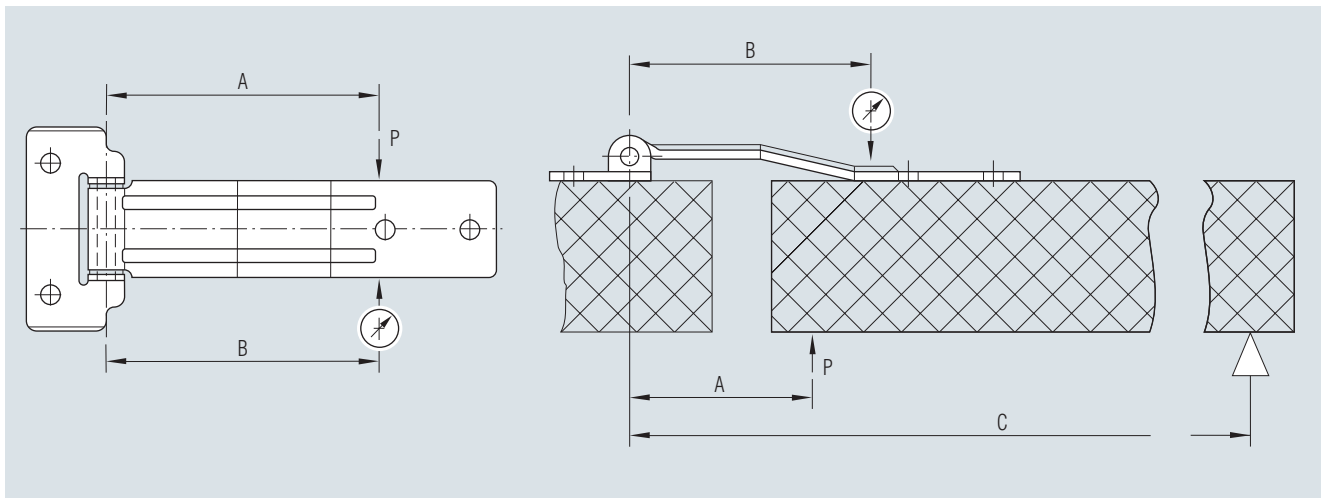
Material: Steel, electro galvanised
Weight: approx. 0.160 kg/each
Article No. 631 312



Hinge 129 with joggle

As above, but

Material: Stainless steel, polished
Article No. 631 314



Fixing data (applicable for stainless steel version 631 314)

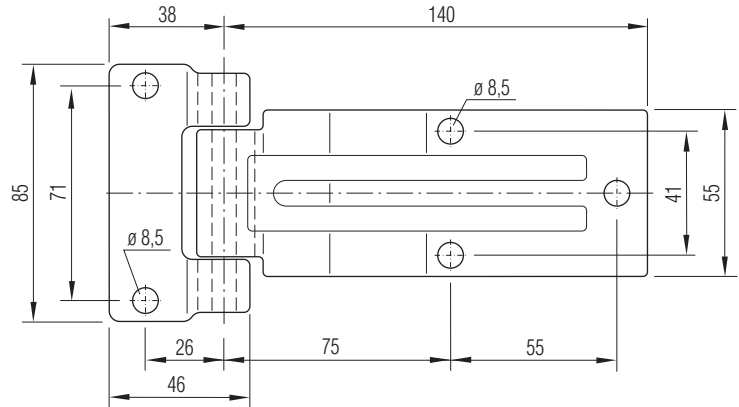
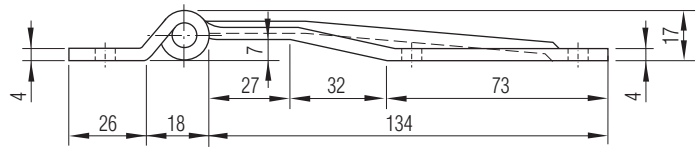
Fig.	Load	P = max. load when functioning properly [kg]	Max. deformation flexibility range [mm]	permanent deformation [mm]	A = distance between hinge pin and load point [mm]	B = distance between hinge pin and test point [mm]	C = distance between hinge pin and abutment (fixing point) [mm]
1	Flexing (vertical)	30	1.2	0.2	90	90	-
2	Pressure (internal)	30	3.0	0.1	60	60	440

Continuous hinges 180° Type 140, with joggle

Hinge 140 with joggle

- Short blade without joggle
- Long blade with joggle, 7 mm high, with 2 reinforcement ribs
- Five fixing holes, \varnothing 8.5 mm

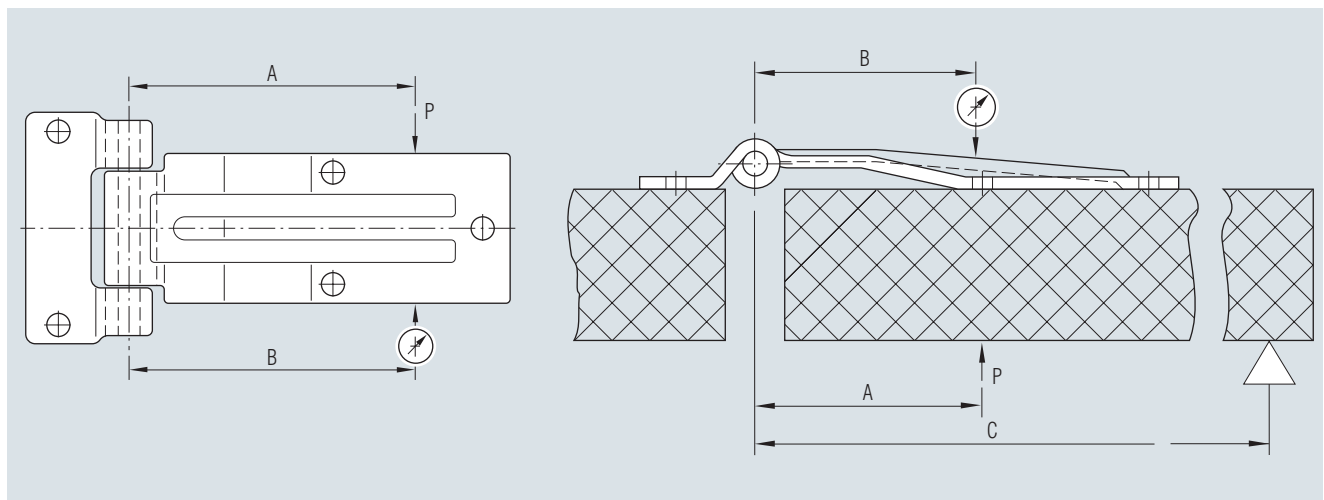
Knuckle pin \varnothing : 16 mm
 Knuckle pin height: 17 mm
 Hinge pin \varnothing : 8 mm
 Material: Steel, electro galvanised
 Weight: approx. 0.410 kg/each
 Article No. 631 326



Hinge 140 with joggle

As above, but

Material: Stainless steel, polished
 Article No. 631 325



Fixing data (applicable for stainless steel version 631 325)

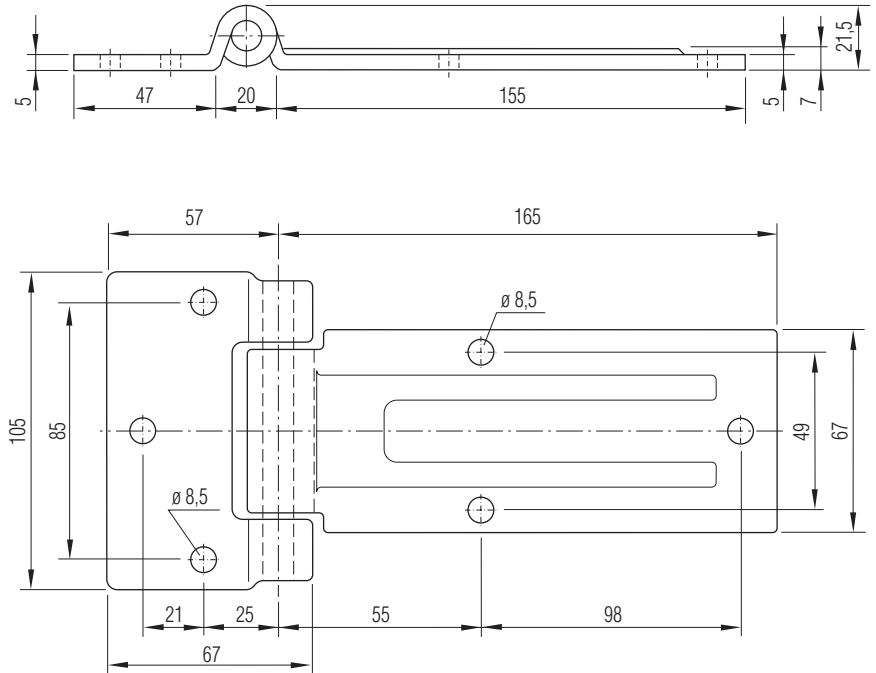
Fig.	Load	P = max. load when functioning properly [kg]	Max. deformation flexibility range [mm]	permanent deformation [mm]	A = distance between hinge pin and load point [mm]	B = distance between hinge pin and test point [mm]	C = distance between hinge pin and abutment (fixing point) [mm]
1	Flexing (vertical)	150	1.3	0.1	105	105	-
2	Pressure (internal)	190	1.6	0.1	75	73	460

Continuous hinges 180° Type 165, straight

Hinge 165 straight

- Short and long blade without joggle
- Long blade with 2 reinforcement ribs
- Five fixing holes, \varnothing 8.5 mm

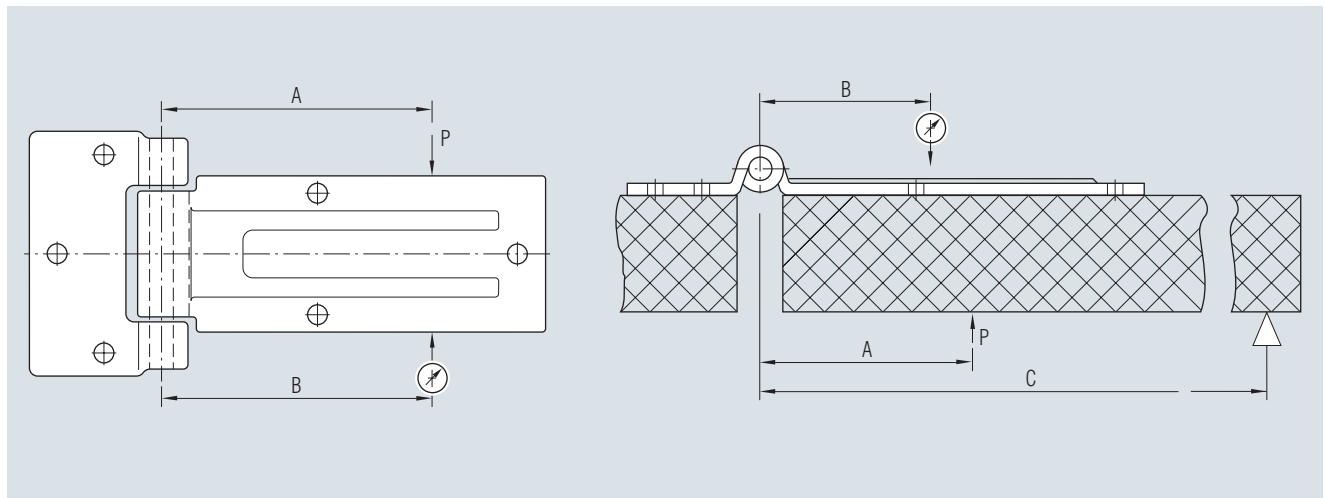
Knuckle pin \varnothing : 20 mm
 Knuckle pin height: 21.5 mm
 Hinge pin \varnothing : 10 mm
 Material: Steel, electro galvanised
 Weight: approx. 0.820 kg/each
 Article No. 631 321



Hinge 165 straight

As above, but

Material: Stainless steel, polished
 Article No. 631 323



Fixing data (applicable for stainless steel version 631 314)

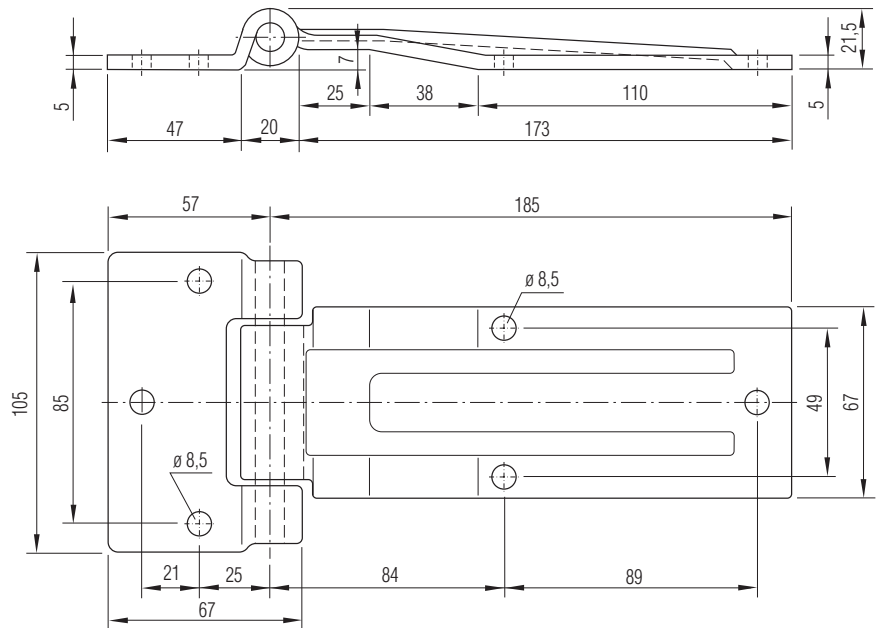
Fig.	Load	P = max. load when functioning properly	Max. deformation flexibility range	permanent deformation	A = distance between hinge pin and load point	B = distance between hinge pin and test point	C = distance between hinge pin and abutment (fixing point)
		[kg]	[mm]	[mm]	[mm]	[mm]	[mm]
1	Flexing (vertical)	170	1.53	0.10	116	116	-
2	Pressure (internal)	600	1.66	0.07	91	73	470

Continuous hinges 180° Type 185, with joggle

Hinge 185 with joggle

- Short blade without joggle
- Long blade with joggle, 7 mm high, with 2 reinforcement ribs
- Five fixing holes, \varnothing 8.5 mm

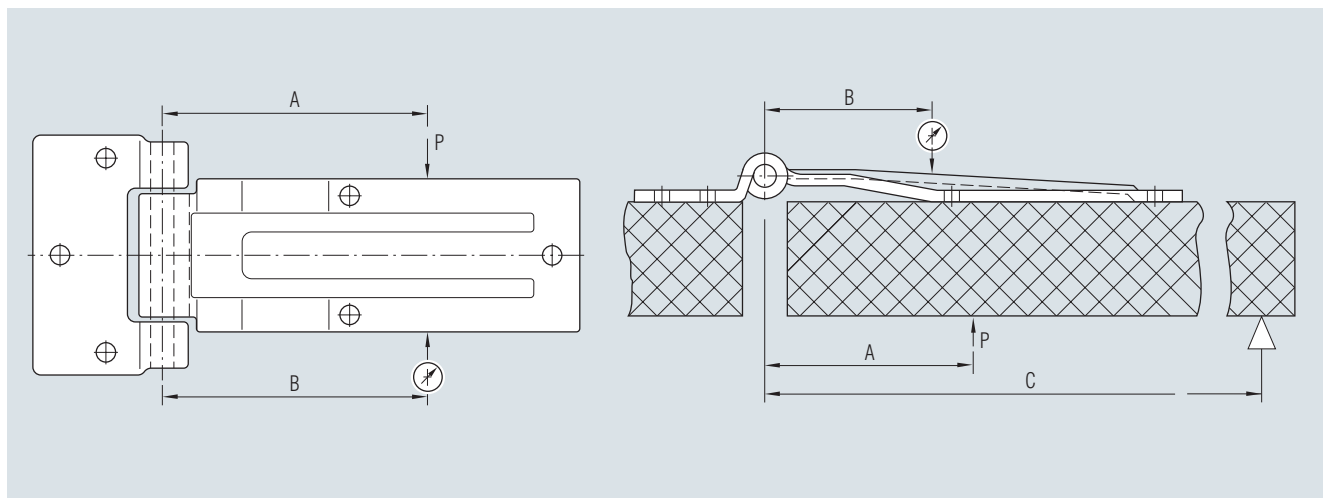
Knuckle pin \varnothing : 20 mm
 Knuckle pin height: 21.5 mm
 Hinge pin \varnothing : 10 mm
 Material: Steel, electro galvanised
 Weight: approx. 0.880 kg/each
 Article No. 631 322



Hinge 185 with joggle

As above, but

Material: Stainless steel, polished
 Article No. 631 324



Fixing data (applicable for stainless steel version 631 324)

Fig.	Load	P = max. load when functioning properly [kg]	Max. deformation flexibility range [mm]	permanent deformation [mm]	A = distance between hinge pin and load point [mm]	B = distance between hinge pin and test point [mm]	C = distance between hinge pin and abutment (fixing point) [mm]
1	Flexing (vertical)	180	1.2	0.1	116	116	-
2	Pressure (internal)	210	1.6	0.1	91	73	470

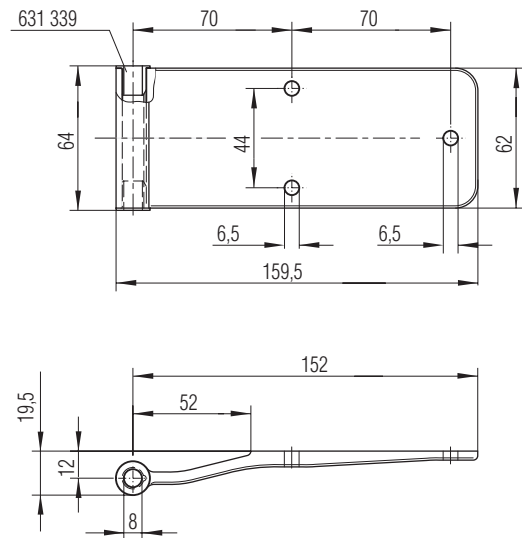
Continuous hinges 180° Recessed lid stay set

Hinge blade 152 with joggle

- 9 mm high, smooth
- Three fixing holes, \varnothing 6.5 mm

Knuckle pin \varnothing : 15 mm
 Knuckle pin height: 19.5 mm
 Hinge pin \varnothing : 8 mm
 Material: 631 330 - Aluminium, mill finish
 631 332 - Aluminium, anodised¹
 Weight: approx. 0.150 kg/each
 Article No. 631 330 - Aluminium, mill finish
 631 332 - Aluminium, anodised¹

Replacement part: Hinge bushing, grey -
 Article No. 631 339

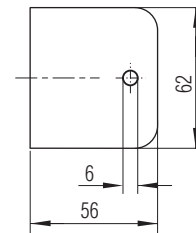


¹ Packed in polybag

Plastic washer

- Accessories for hinge 631 330/332.

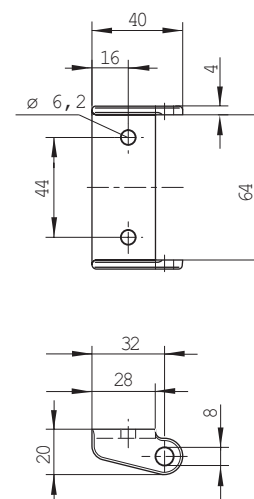
Material thickness: 4 mm
 Article No. 631 338



Hinge bracket 32 mm

- Screw-on hinge bracket.
- Two different installation options,
- see diagram on page 63.02.01.14

Material: 631 334, Steel, electro galvanised
 631 335, Stainless steel
 Weight: approx 0.078 kg/each
 Article No. 631 334
 631 335

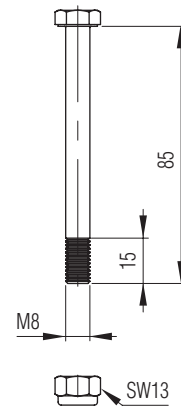


Continuous hinges 180° Type 152, with joggle

Hinge bolts, galvanised

Hexagonal screw DIN 931 8.8 M 8 x 85

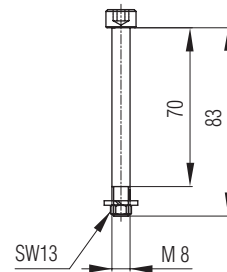
Material: Steel, galvanised
Weight: approx. 0.040 kg/each
Article No. 631 337



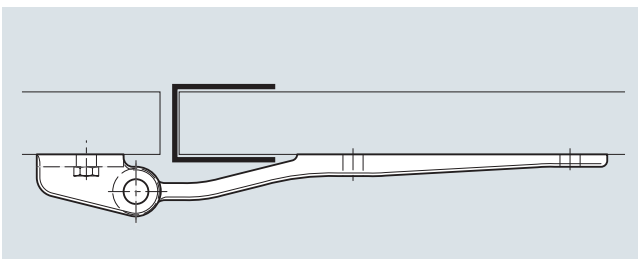
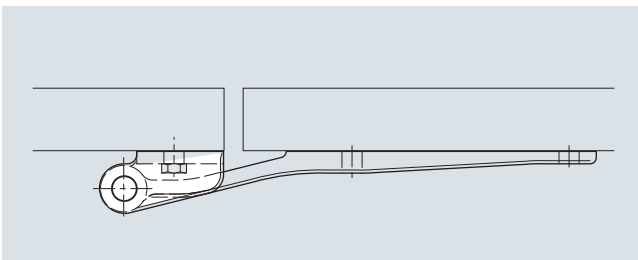
Hinge bolts stainless steel

Comprising:
 socket head cap screw with 6 mm socket,
 circlip and M 8 hexagon nut

Material: Stainless steel
Weight: approx. 0.045 kg/each
Article No. 631 336



Assembly example

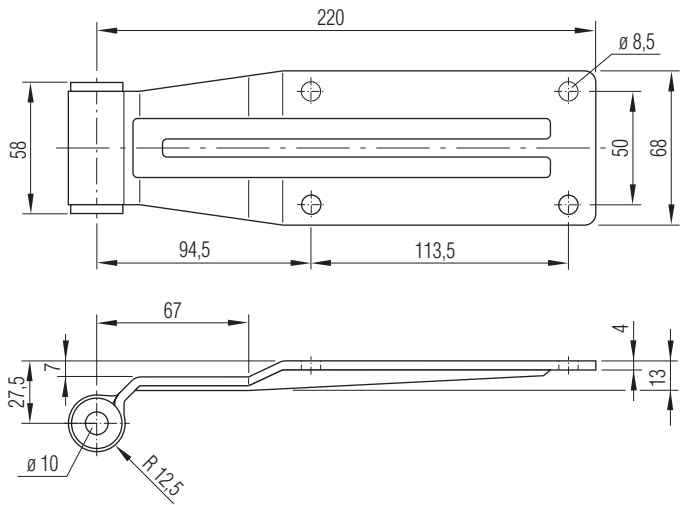


Continuous hinges 270° Type 220

Hinge blade 220/270°

- Particularly attractive design
- Strong reinforcing ribs
- Knuckle with injection moulded plastic sockets with outer collars - minimal friction against the bracket eyes
- Self-lubricating effect for the bolts

Material: Stainless steel, polished
Weight: approx. 0.560 kg/each
Article No. 631 565



Strength data for hinge blade 631 565 in combination with the hinge bracket 631 666, applicable for the material stainless steel

Bending load (vertical)

Hinge blade Article No.	F = max. load when functioning properly [kg]	max. deformation flexibility range [mm]	residual deformation [mm]
631 565	65	2.3	0.3

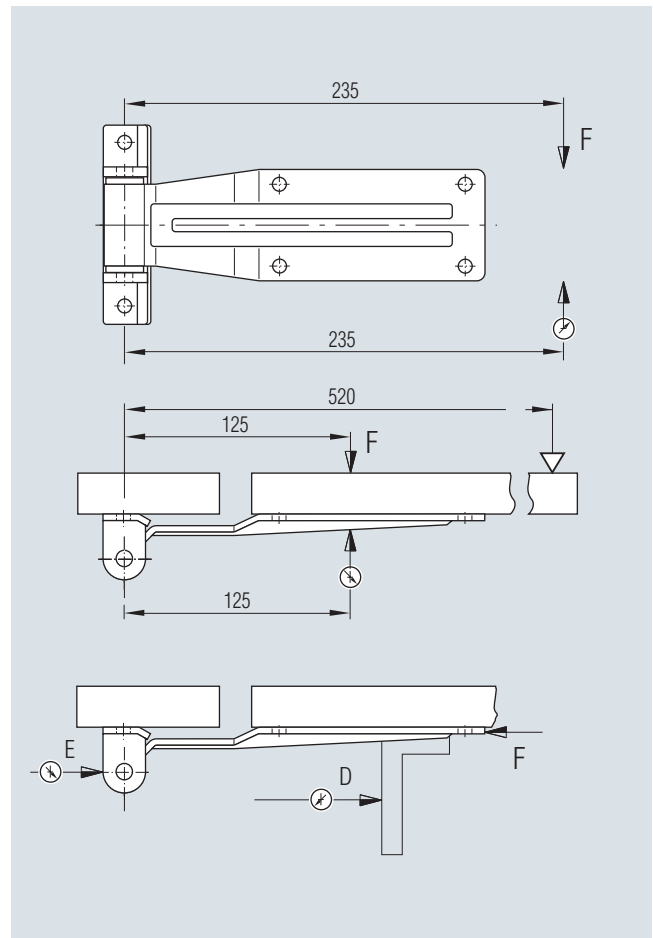
Pressure load (internal) hinge blade 631 565

Hinge blade Article No.	F = max. load when functioning properly [kg]	max. deformation flexibility range [mm]	residual deformation [mm]
631 666	160	2.4	0.25

Alternating cyclic load (horizontal, stress / tensile)

F = max. load when working perfectly 450 kg

Article No.	D = max. deformation flexibility range [mm]		E = max. deformation flexibility range [mm]	
	flexibility range [mm]	residual deformation [mm]	flexibility range [mm]	residual deformation [mm]
631 565	0.93	0.13	-	-
631 666	-	-	0.10	0.01



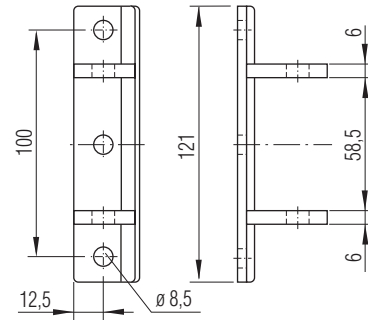
All technical specifications contained in this brochure are approximate and no guarantee is given as to their accuracy. Designs are subject to change.

Continuous hinges 270° Accessories for hinge type 220

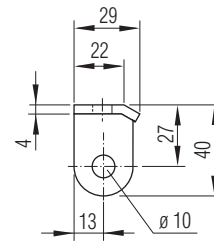
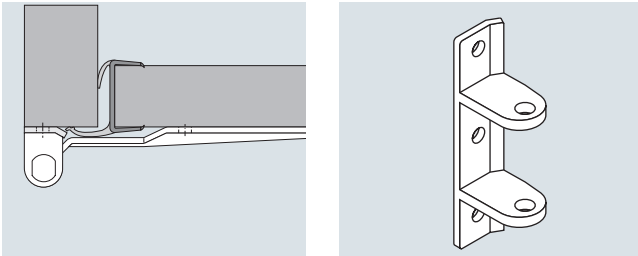
Hinge bracket 27 mm

- Screw-on hinge bracket. Extra slim design. The angle of the base plate allows for the use of wide external seals on the frame side
- Eyes welded onto the baseplate

Material: Stainless steel, polished
Weight: approx. 0.190 kg/each
Article No. 631 666



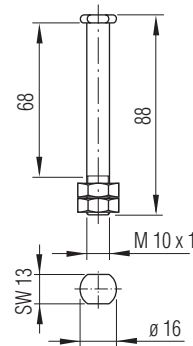
Assembly example



Hinge bolt

- Bolt located securely in the bracket eye
- The blade knuckle rotates around the bolt
- Head with parallel surfaces for wrenches
- With nut and lock nut, M 10 thread

Material: Stainless steel
Weight: approx. 0.070 kg/each
Article No. 631 722

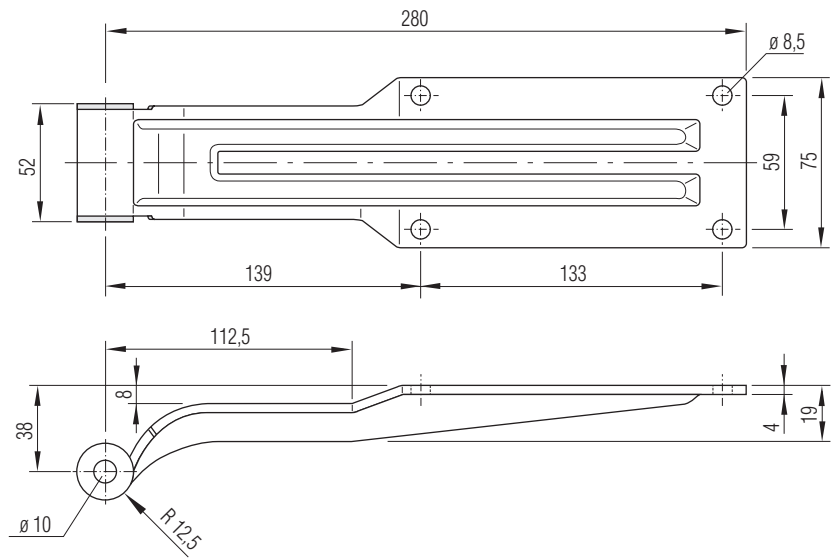


Continuous hinges 270° Type 280

Hinge blade 280/270°

- Extremely robust
- Strong reinforcing ribs, raised up to the hinge knuckle
- Knuckle with injection moulded plastic sockets with outer collars - minimal friction against the bracket eyes
- Selflubricating effect for the bolts

Material: Stainless steel, polished
Weight: approx. 0.700 kg/each
Article No. 631 560

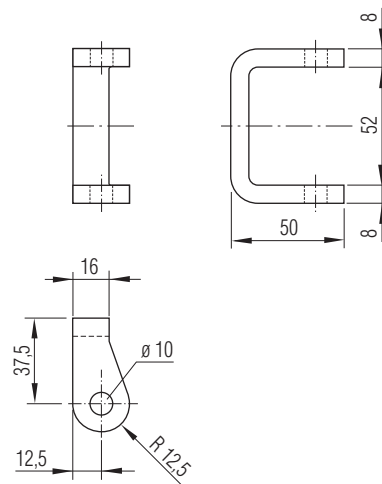
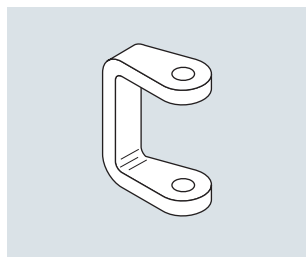
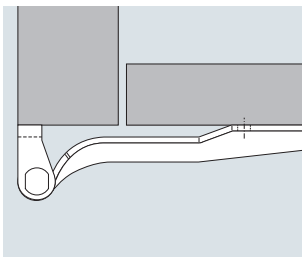


Hinge bracket 37.5 mm

- Weld-on hinge bracket
- Extra slim

Material: Stainless steel, satin
Weight: approx. 0.150 kg/each
Article No. 631 626

Assembly example



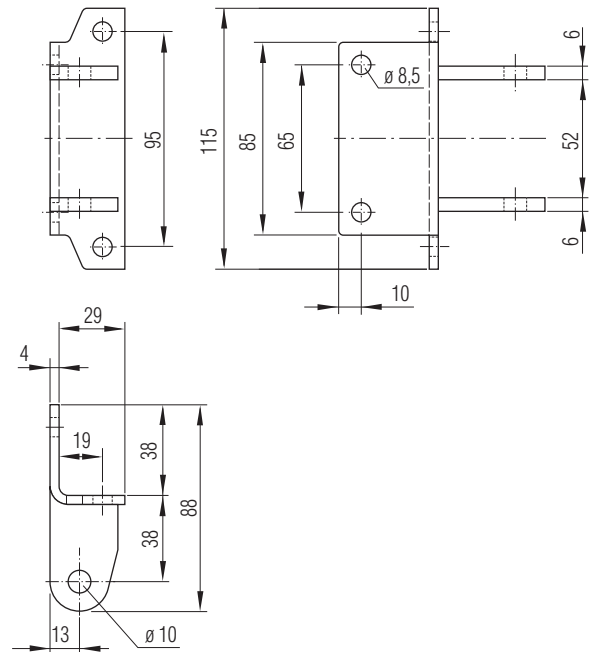
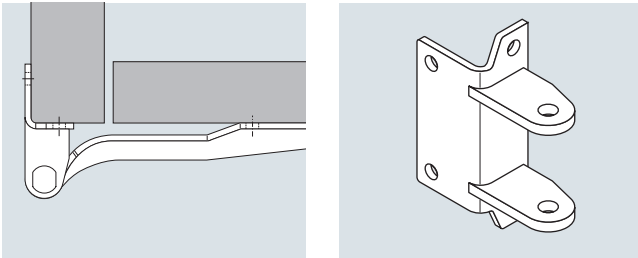
Continuous hinges 270° Accessories for hinge type 280

Hinge bracket 38 mm

- Screw-on hinge bracket. Angle shape of the fixing surfaces
- Eyes welded onto the fixing bracket

Material: Stainless steel, polished
Weight: approx. 0.290 kg/each
Article No. 631 660

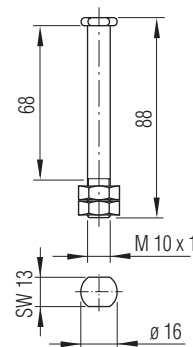
Assembly example



Hinge bolt

- Bolt located securely in the bracket eye
- The blade knuckle rotates around the bolt
- Head with parallel surfaces for wrenches
- With nut and lock nut, M 10 thread

Material: Stainless steel
Weight: approx. 0.070 kg/each
Article No. 631 722

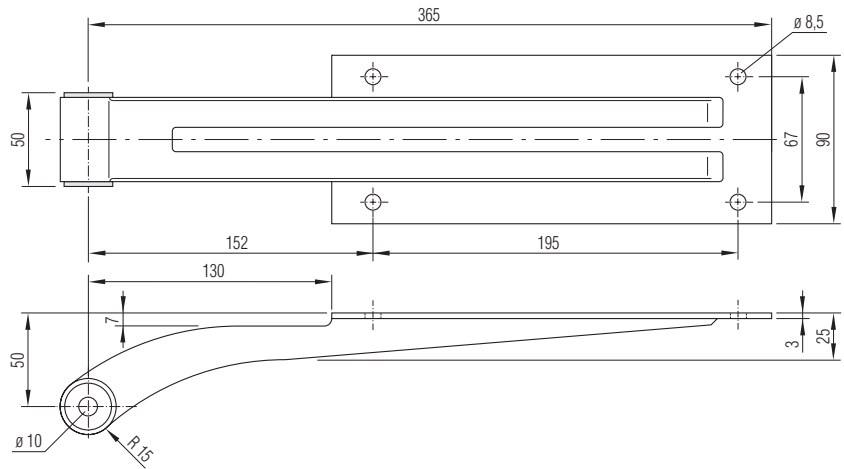


Continuous hinges 270° Type 365

Hinge blade 365/270°

- Superior strength category
- Strong reinforcing ribs, raised up to the hinge knuckle
- Knuckle with injection moulded plastic sockets with outer collars - minimal friction against the bracket eyes
- Selflubricating effect for the bolts

Material: Stainless steel, polished
Weight: approx. 1.170 kg/each
Article No. 631 530



Strength data for hinge blade 631 530 in combination with the hinge brackets 631 630, 631 636 applicable for the material stainless steel

Bending load (vertical)

Hinge blade	F = max. load when functioning properly [kg]	max. deformation flexibility range [mm]	residual deformation [mm]
631 530 with hinge bracket Article No. 631 636	110	3.5	0.2
631 630	90	3.2	0.25

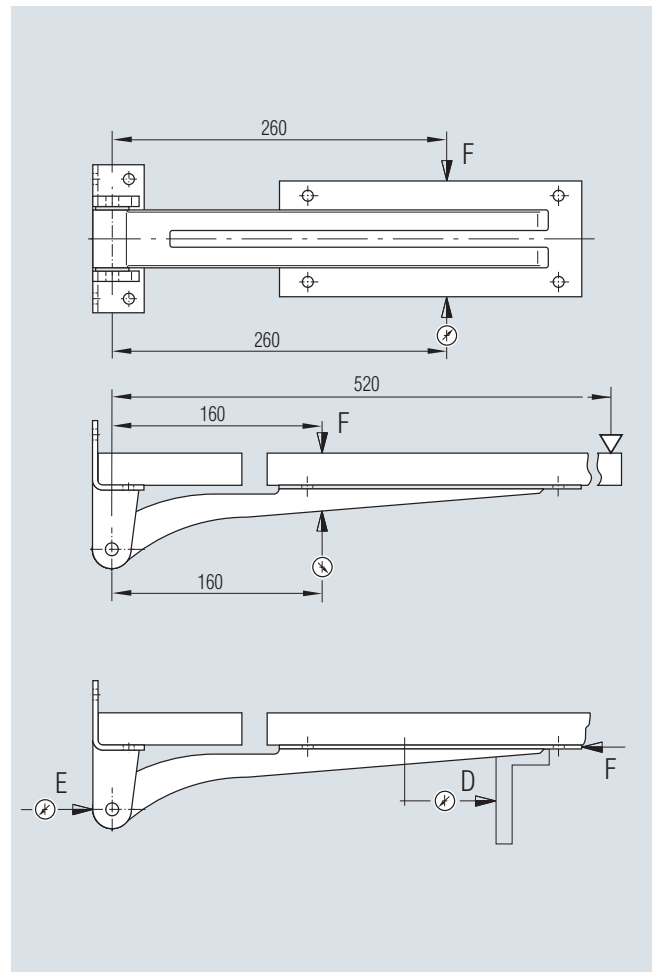
Pressure load (internal) hinge blade 631 530

with hinge bracket Article No.	F = max. load when functioning properly [kg]	max. deformation flexibility range [mm]	residual deformation [mm]
631 630	302	1.9	0.2
631 636	302	1.9	0.2

Alternating cyclic load (horizontal, stress / tensile)

F = max. load when working perfectly 610 kg

Article No.	D = max. deformation flexibility range [mm]		E = max. deformation flexibility range [mm]	
	flexibility range [mm]	residual deformation [mm]	flexibility range [mm]	residual deformation [mm]
631 530	0.58	0.11	-	-
631 630	-	-	0.48	0.04
631 636	-	-	0.32	0.08

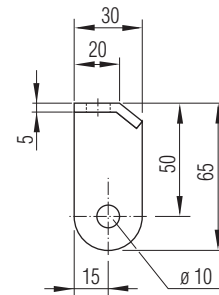
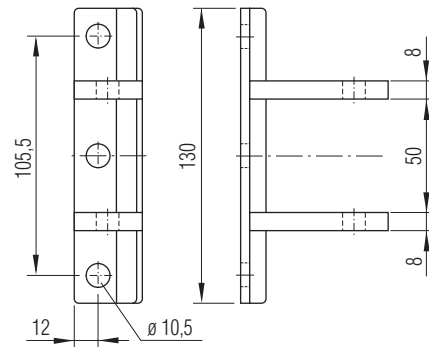


Continuous hinges 270° Accessories for hinge type 365

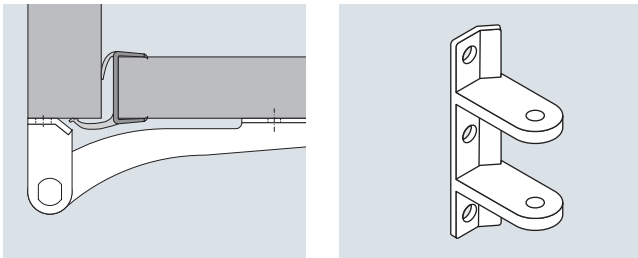
Hinge bracket 50 mm

- Screw-on hinge bracket.
- Extra slim design
- The angle of the base plate allows for the use of wide external seals on the frame side
- Eyes welded onto the baseplate

Material: Stainless steel, polished
Weight: approx. 0.420 kg/each
Article No. 631 630



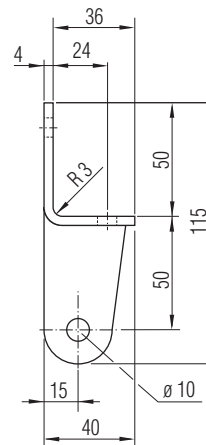
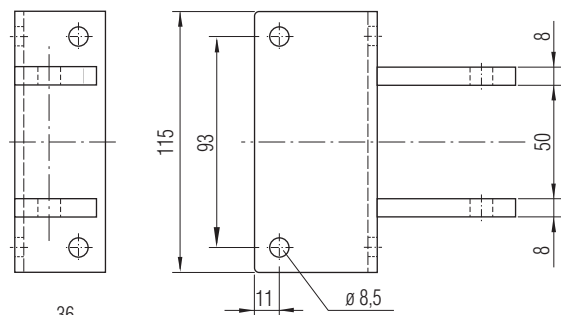
Assembly example



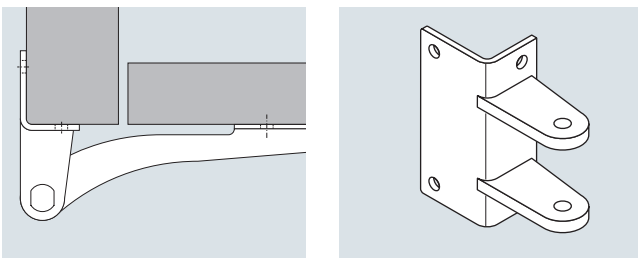
Hinge bracket 50 mm

- Screw-on hinge bracket
- Angle shape of the fixing surfaces eyes welded onto the fixing bracket

Material: Stainless steel, polished
Weight: approx. 0.530 kg/each
Article No. 631 636



Assembly example

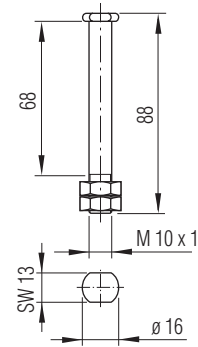


Accessories for hinge type 365

Hinge bolt

- Bolt located securely in the bracket eye
- The blade knuckle rotates around the bolt
- Head with parallel surfaces for wrenches
- With nut and lock nut, M 10 thread

Material: Stainless steel
Weight: approx. 0.070 kg/each
Article No. 631 722



Continuous hinges 270° / Type 257

Hinge blade 257/270°

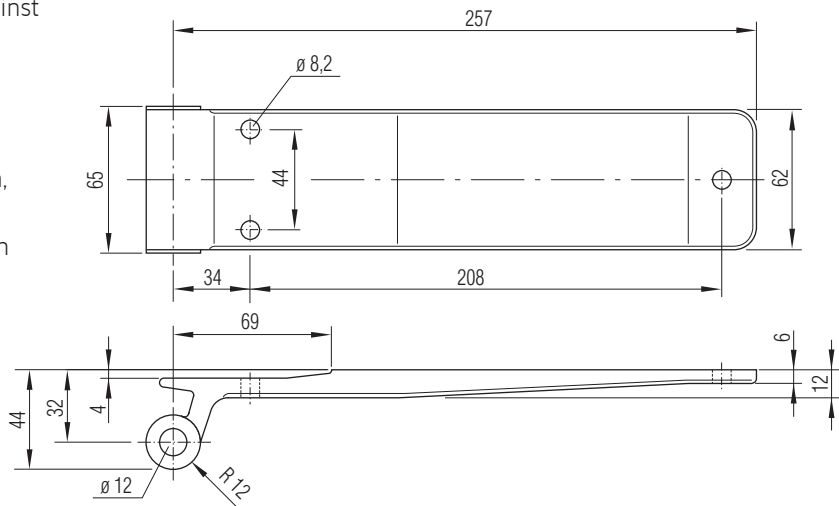
- Extra slim blade design
- Knuckle with injection moulded plastic sockets with outer collars - minimal friction against the bracket eyes
- Self-lubricating effect for the bolts
- Packed in polybag

Material: 631 535 - Aluminium, mill finish
Weight: approx. 0.455 kg/each
Article No. 631 535

Note

An aluminium with joggle washer (Article No. 631 539) is always supplied with the above-mentioned hinges.

Replacement part: Plastic bushing 631 595

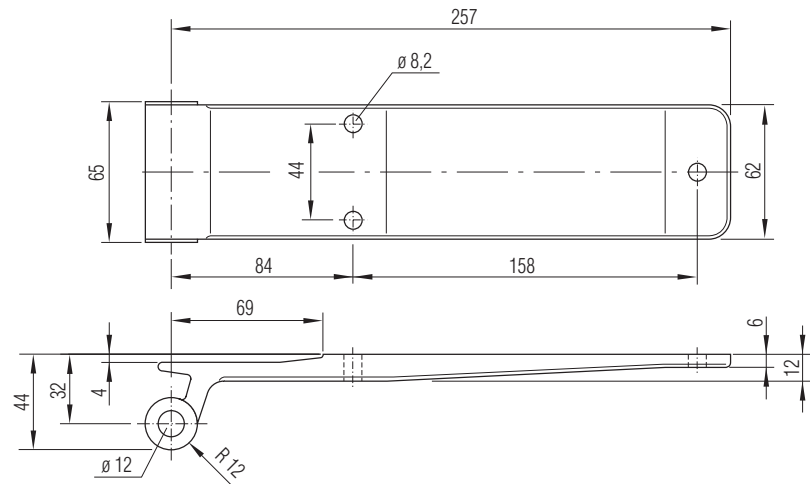


Hinge blade 257/270°

- Extra slim blade design
- Knuckle with injection moulded plastic sockets with outer collars - minimal friction against the bracket eyes
- Self-lubricating effect for the bolts

Material: 631 532 - Aluminium, mill finish
 631 533 - Aluminium, anodised¹
Weight: approx. 0.455 kg/each
Article No. 631 532
 631 533

Replacement part: Plastic bushing 631 595



¹ Packed in polybag.

Note:

The aluminium hinges can be secured faster and cheaply using our TIFAS blind rivets (429 112 - 429 116)
 Further information available on request.

Continuous hinges 270° Type 307

Hinge blade 257/270°

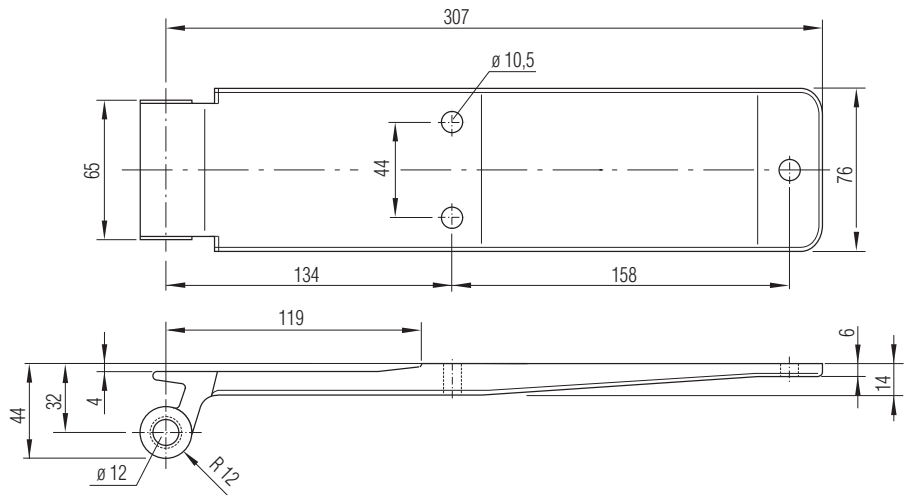
- Extra slim blade design
- Knuckle with injection moulded plastic sockets with outer collars - minimal friction against the bracket eyes
- Self-lubricating effect for the bolts
- Packed in polybag

Material: 631 586 - Aluminium, mill finish
631 589 - Aluminium, anodised¹

Weight: approx. 0.675 kg/each

Article No. 631 586
631 589

Replacement part: Plastic bushing 631 595



¹ Packed in polybag.

Note:

The aluminium hinges can be secured faster and cheaply using our lockbolt systems. Further information available on request.

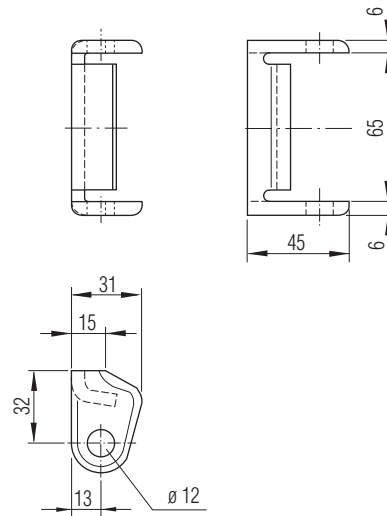
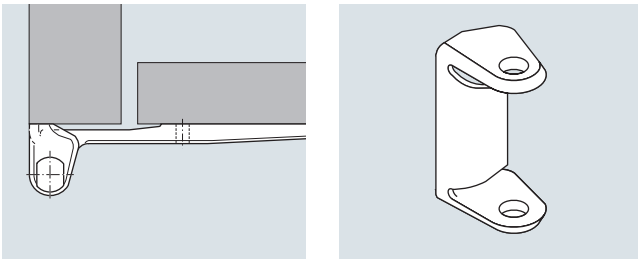
Accessories for hinge type 257/307

Hinge bracket 32 mm

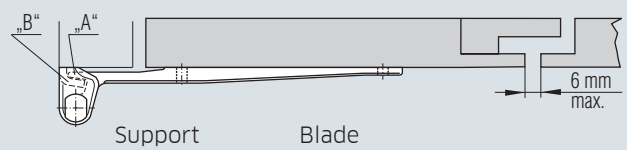
Weld-on hinge bracket, customs/tamper-proof

Material:	631 641 - Steel, electro galvanised 631 642 - Stainless steel, mill finish
Weight:	631 641 - approx. 0.185 kg/each 631 642 - approx. 0.195 kg/each
Article No.	631 641 631 642

Assembly example



This hinge combination offers a tamper-proof design. When the door is closed the leg „A“ is positioned behind centre bridge „B“ of the hinge support. Even when using non-welded bolts it is impossible to undo the blade which means the door cannot be removed from the hinge support. The vertical space between the two door must not exceed 6 mm.



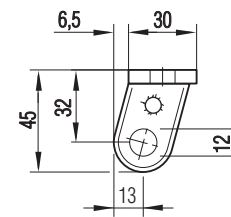
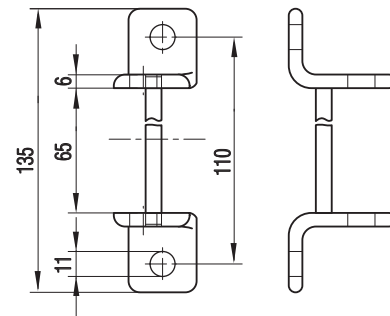
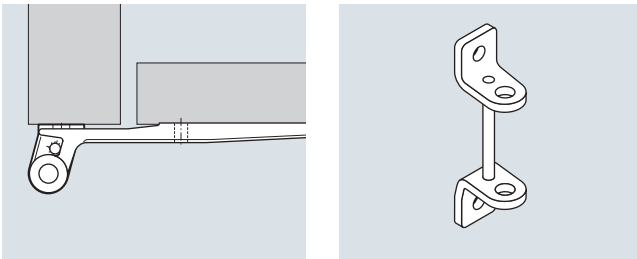
Accessories for hinge type 257/307

Hinge bracket 32 mm

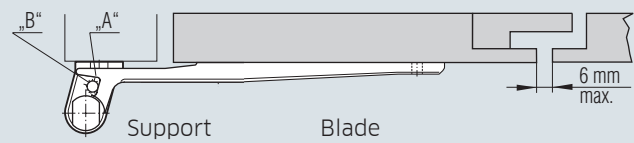
Weld-on hinge bracket, customs/tamper-proof

Material:	631 643 - Steel, electro galvanised
	631 644 - Stainless steel, mill finish
Weight:	631 643 - approx. 0.175 kg/each
	631 644 - approx. 0.171 kg/each
Article No.	631 643
	631 644

Assembly example



This hinge combination offers a tamper-proof design. When the door is closed the leg „A“ is positioned behind centre bridge „B“ of the hinge support. Even when using non-welded bolts it is impossible to undo the blade which means the door cannot be removed from the hinge support. The vertical space between the two door must not exceed 6 mm.

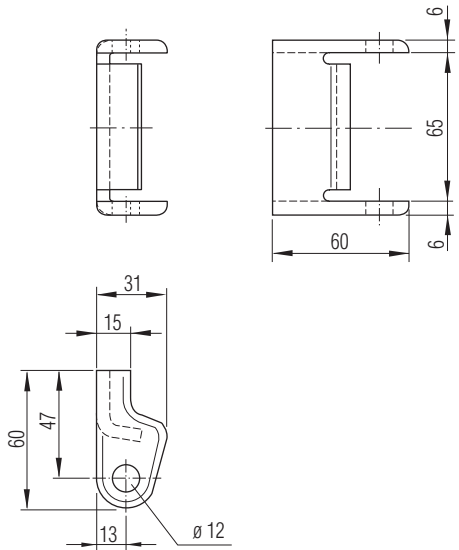


Accessories for hinge type 257/307

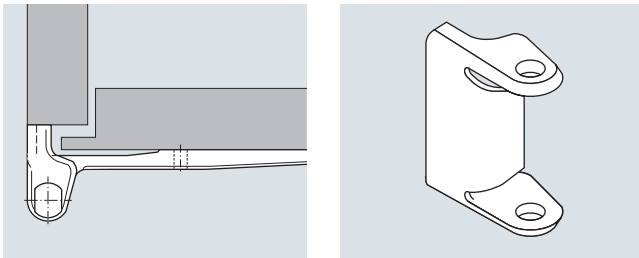
Hinge bracket 47 mm

Weld-on hinge bracket, customs/tamper-proof

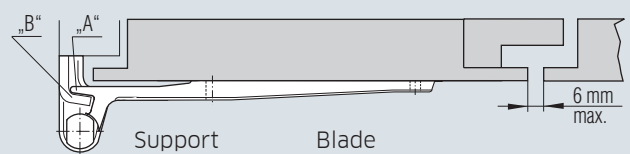
Material:	631 651 - Steel, electro galvanised
	631 652 - Stainless steel, mill finish
Weight:	631 651 - approx. 0.205 kg/each
	631 652 - approx. 0.215 kg/each
Article No.	631 651
	631 652



Assembly example



This hinge combination offers a tamper-proof design. When the door is closed the leg „A“ is positioned behind centre bridge „B“ of the hinge support. Even when using non-welded bolts it is impossible to undo the blade which means the door cannot be removed from the hinge support. The vertical space between the two door must not exceed 6 mm.



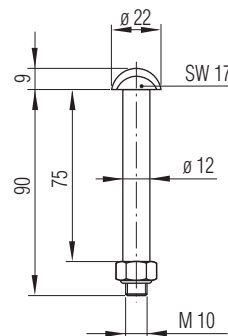
Hinge pin cannot be lubricated

With safety nut SW 17 mm

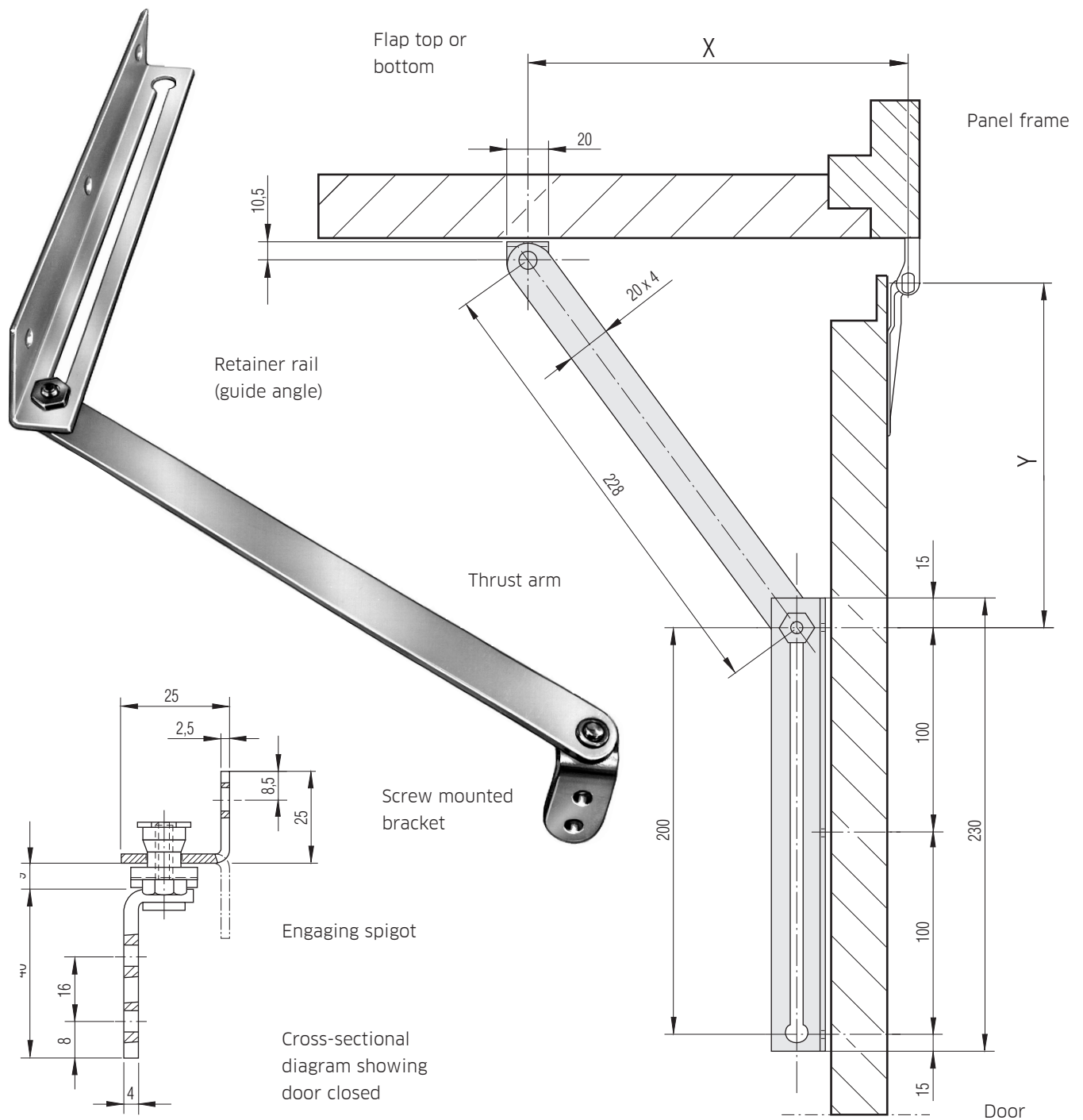
Material:	631 715 - Steel, electro galvanised
	631 716 - Stainless steel, mill finish
Weight:	631 715 - approx. 0.100 kg/each
	631 716 - approx. 0.100 kg/each
Article No.	631 715
	631 716

Individual components:

- Hinge pin - Steel, electro galvanised Article No. 631 713
- Hinge pin - Stainless steel, mill finish Article No. 631 714
- Safety nut - Steel, electro galvanised Article No. 661 824
- Safety nut - Stainless steel, mill finish Article No. 661 167



Hooking door retainers



Door retainer rail

- Automatic 90° door retainer by locking the spigot, illustrated, on the end of the thrust arm
- Can be used equally for right and left, for top-mounted and inside doors
- Weld or screw-on mounting
- Fixing holes dia. 6.4 mm. For 90° opening angle: measurement $X=140$ mm, measurement $Y=180$ mm, minimum door width 403 mm.

Material:
Weight:
Article No.

Steel, electro galvanised
approx. 0.360 kg/each
631 750

Hooking door retainers

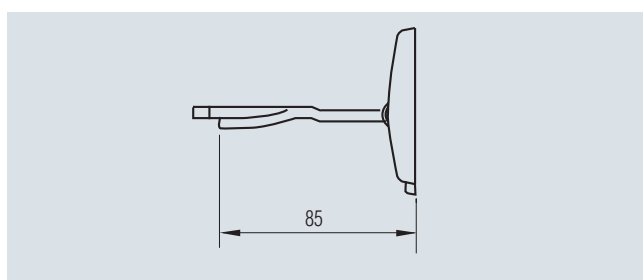
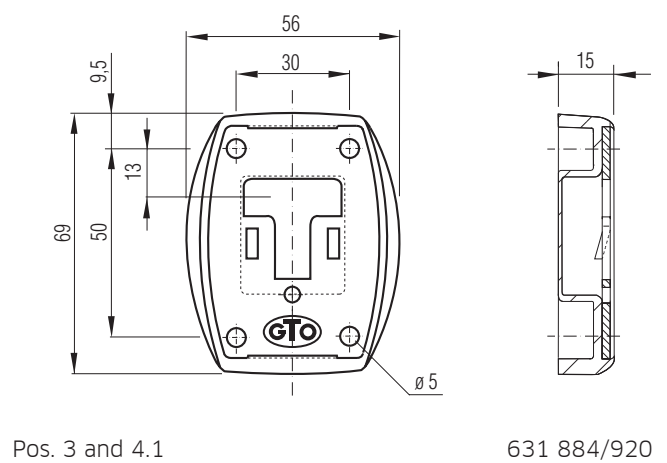
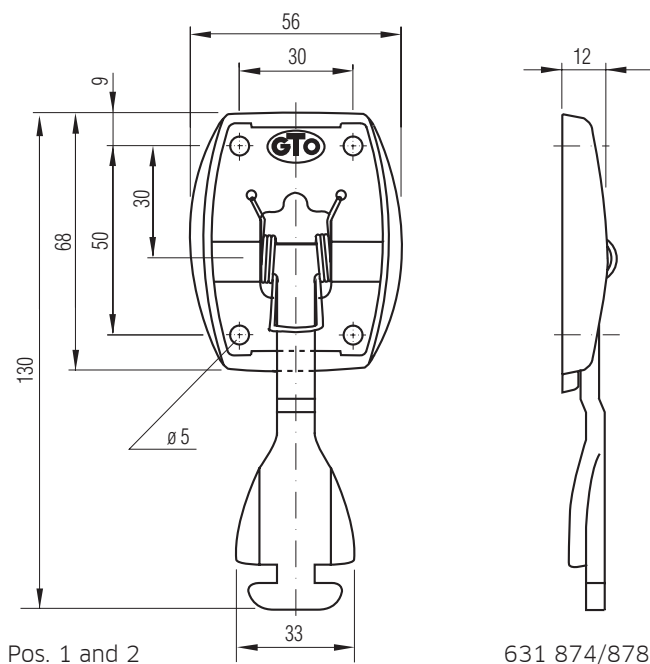
Hooking door retainer with spring bridge an T piece 90

Complete set

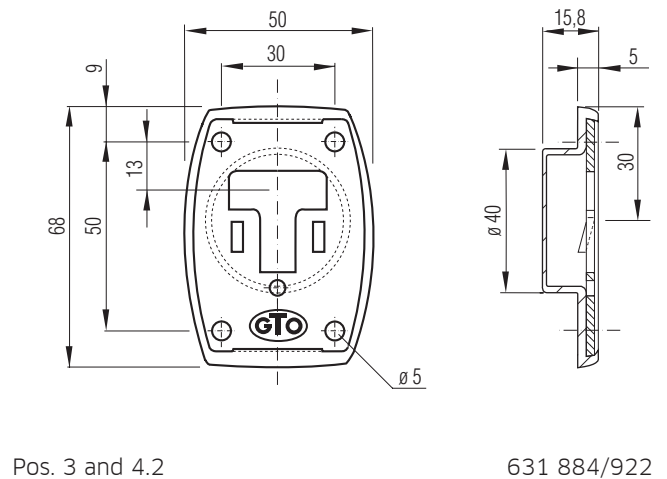
Material: High grade stainless steel
Weight: 631 940 - ca. 0.110 kg/each
 631 944 - ca. 0.096 kg/each
Article No. 631 940 - with plastic baseplate
 Retainer T-bar component
 Article No. 631 920
 631 944 - with plastic baseplate
 for retainer catch
 Article No. 631 922

Loose for spare requirements / Single order

Pos.	Component	Quantity	Material	Weight approx. [kg/each]	Article No.
1	Retainer T-bar component with T piece 90	1	Stainless steel	0.056	631 874
2	Plastic baseplate for Retainer T-bar component	1	Plastic, black	0.008	631 878
3	Bracket (Assembly / Retainer)	1	Stainless steel	0.024	631 884
4.1	Plastic baseplate for Catch Plate	1	Plastic, black	0.022	631 920
4.2	Plastic baseplate for Retainer Catch	1	Plastic, black	0.008	631 922



T-bar component, angled



All technical specifications contained in this brochure are approximate and no guarantee is given as to their accuracy. Designs are subject to change.

Hooking door retainers

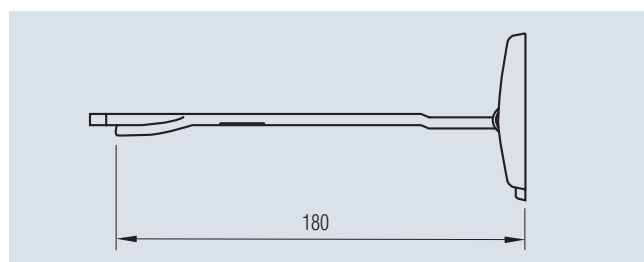
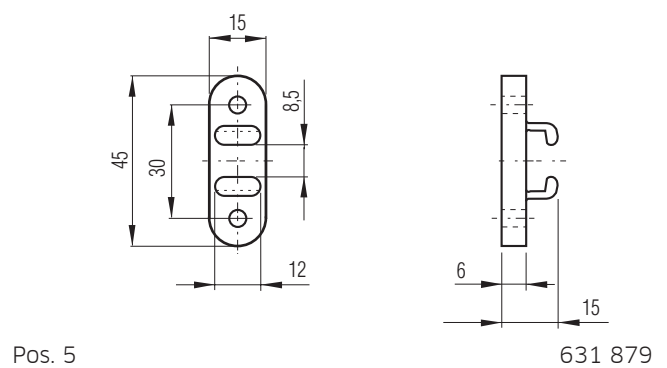
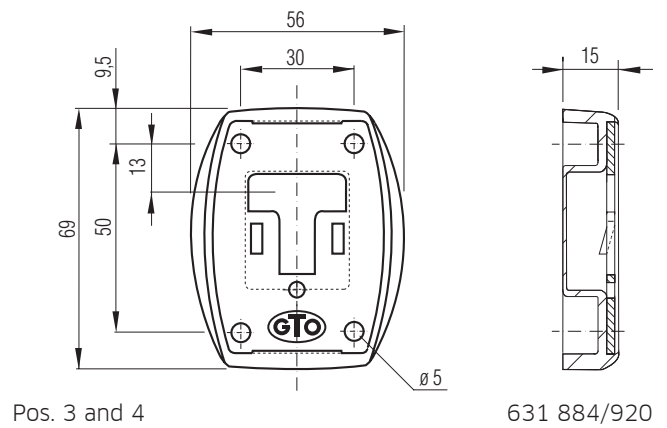
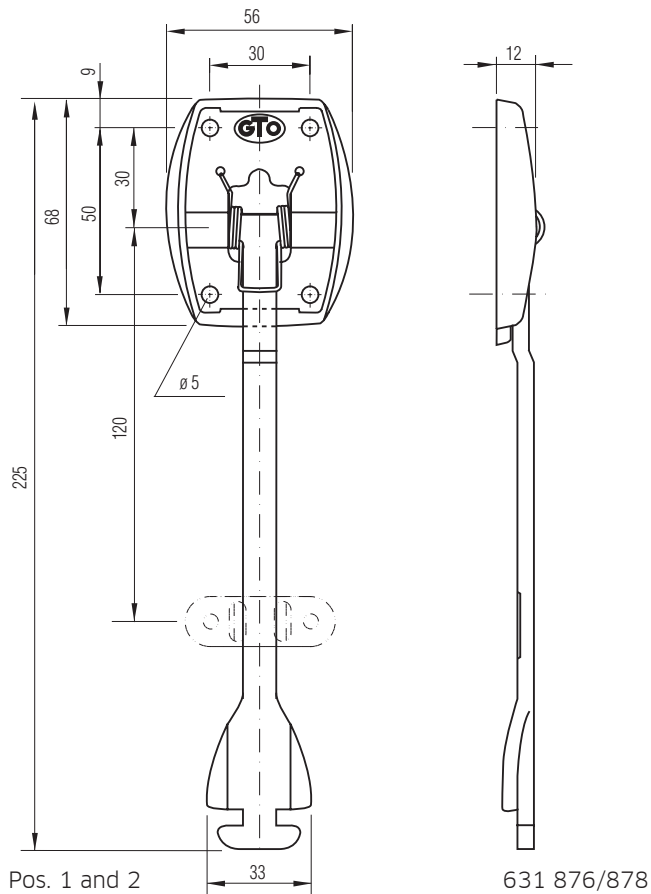
Hooking door retainer with spring bridge an T piece 185

Complete set

Material: High grade stainless steel
weight: ca. 0.136 kg/each
Article No. 631 942

Loose for spare requirements / Single order

Pos.	Component	Quantity	Material	Weight approx. [kg/each]	Article No.
1	Retainer T-bar component with T piece 185	1	Stainless steel	0.078	631 876
2	Plastic baseplate for Retainer T-bar component	1	Plastic	0.008	631 878
3	Catch Plate / Retainer plate	1	Stainless steel	0.024	631 884
4	Plastic baseplate for Catch Plate	1	Plastic	0.022	631 920
5	Fixing clip	1	Stainless steel	0.004	631 879



T-bar component, angled

Hooking door retainers

Hooking door retainer with spring bridge an T piece

Complete set

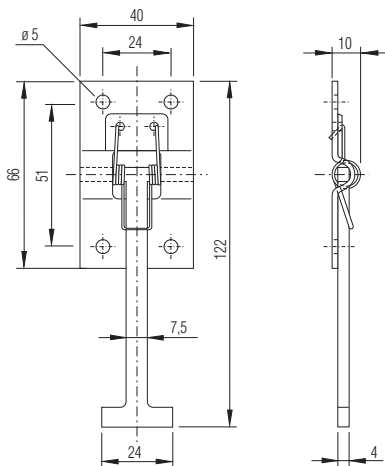
Material: Steel, galvanised
Article No. 631 790

Material: Stainless steel
Article No. 631 791

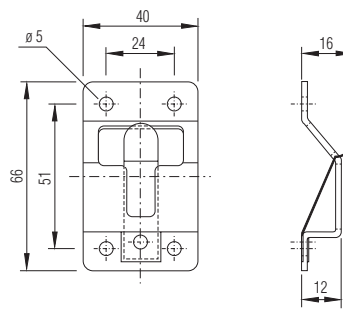
Loose for spare requirements / Single order

Pos.	Component	Quantity	Material	Weight approx. [kg/each]	Article No.
1	Retainer T-bar component with T piece	1	galvanised, high grade stainless steel	0.058	631 792 ¹
		1	Stainless steel	0.058	631 795
2	Catch Plate	1	galvanised, high grade stainless steel	0.030	631 788
		1	Stainless steel	0.032	631 789
3	Plastic protective mounting	2	Plastic, black	0.012	631 798

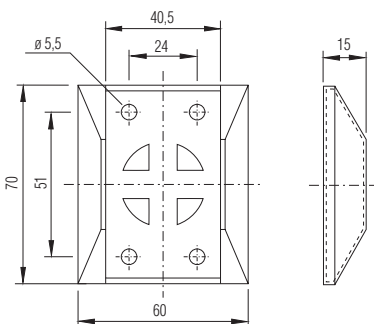
¹ Spring bridge in high grade stainless steel



Pos. 1 631 792/631 795



Pos. 2 631 788/631 789



Pos. 3 631 798

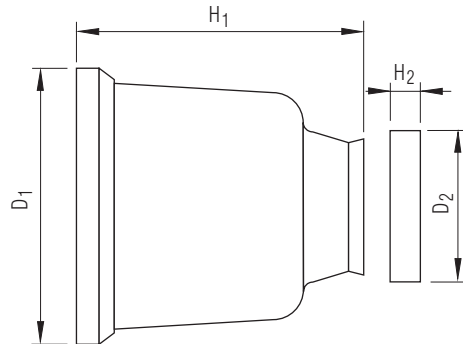
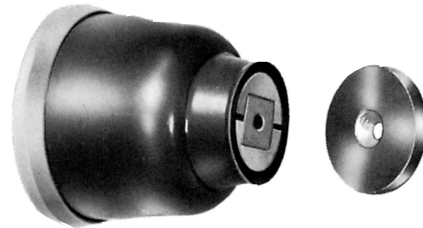
All technical specifications contained in this brochure are approximate and no guarantee is given as to their accuracy. Designs are subject to change.

Magnetic and plastic door retainers

Door stay, magnetic

- Magnetic part with elastic, impact-absorbent jacket
- Baseplate with 3 attachment screws
- With baseplate ring clamp
- Counter-pole with central attachment hole, recessed

Material: Magnetic part: Neoprene jacket, grey
 Plastic baseplate, black
 Plastic ring clamp, grey
 Counter-pole made of Perla steel, galvanised



Adhesive strength approx.	D ₁	D ₂	H ₁	H ₂	Weight approx.	Article No.
[daN]	[mm]	[mm]	[mm]	[mm]	[kg/each]	
10	42	20	34	4	0.006	631 820
20	54	28	44	6	0.130	631 830
30	72	40	70	6	0.250	631 840

Individual components not available separately!

Unscrew baseplate.

Press jacket with turning action over baseplate.

Slide on ring clamp.

Fit counter piece with counter sunk fixing element only.

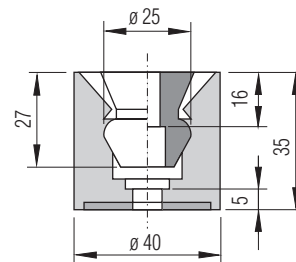
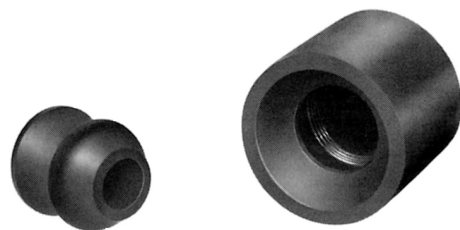
Retainer and clamp

- Consisting of clamping piece (631 867) and spherical spigot (631 866)
- Base of clamping piece with vulcanized metal plate
- Central fixing hole, counter sunk to depth of 30 mm, \varnothing 8.8 mm
- Spherical spigot with central fixing hole, \varnothing 6.5 mm, counter sunk \varnothing 11 mm, 10 mm deep

Material: Clamping piece rubber, black
 Spherical spigot plastic, black

Weight: approx. 0.060 kg/each

Article No. 631 865 - (complete)



Should you wish to order individual parts of these mountings please state the corresponding Article No. shown in ().

Magnetic and plastic door retainers

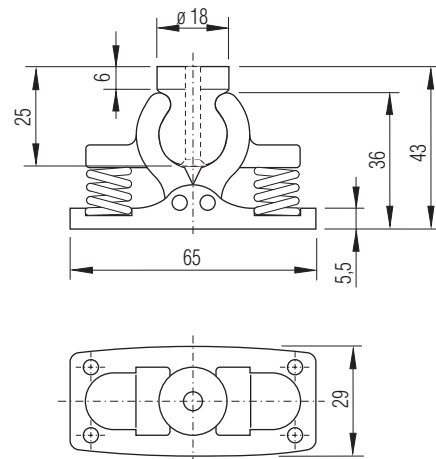
Retainer and clamp

- Consisting of jaw piece (631 802) and spherical spigot (631 803)
- Jaw piece with adjusting, symmetrically acting jaws
- Clamping pressure produced by 2 compression springs
- 4 fixing holes dia. 4.5 mm, distance horizontal 55 mm, horizontal 17 mm
- Spherical spigot fully rotating, circular, central fixing hole dia. 5 mm

Material: Plastic, white
Compression springs - stainless steel

Weight: approx. 0.050 kg/each

Article No. 631 805 - (complete)



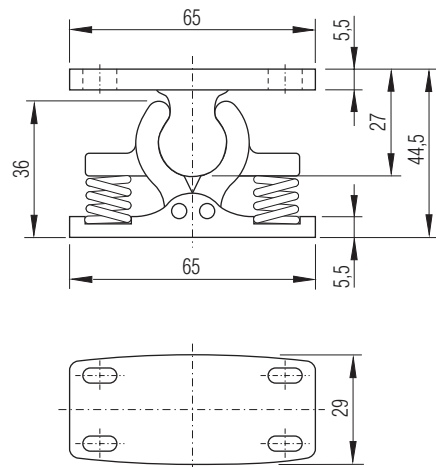
Retainer and clamp

- Consisting of jaw piece (631 802) and spherical spigot (631 801)
- Jaw piece as described above
- Spigot section with baseplate and 4 longitudinal fixing holes
- 10 x 5 mm, distance horizontal 50 mm, horizontal 17 mm

Material: Plastic, white.
Compression springs - stainless steel

Weight: approx. 0.060 kg/each

Article No. 631 800 - (complete)



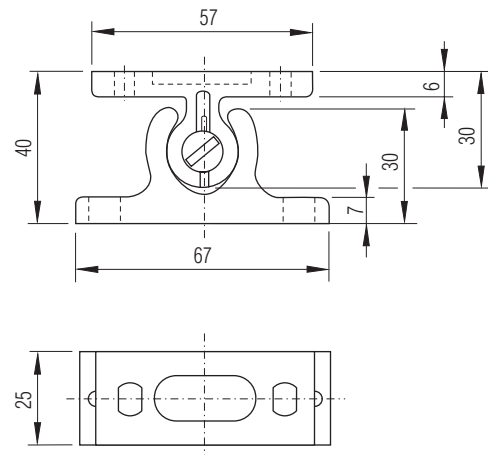
Retainer and clamp

- Consisting of jaw piece (631 862) and spherical spigot (631 861)
- Jaw piece without springs
- Baseplate with 2 longitudinal fixing holes 7.5 x 5.5 mm, distance 53 mm
- Spigot section with baseplate. The screw forms a ball-shaped rubber sleeve in the spigot
- This distorts the shape of the spigot, the clamping force is adjustable
- 2 longitudinal fixing holes, arranged transversally to the baseplate, 7.5 x 5.5 mm, distance 42 mm

Material: Plastic, white
Screw steel, galvanised
Rubber sleeve, black

Weight: approx. 0.045 kg/each

Article No. 631 860 - (complete)



Should you wish to order individual parts of these mountings please state the corresponding Article No. shown in ().

Door retainer strip

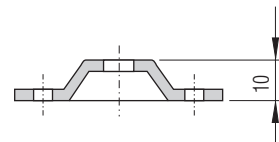
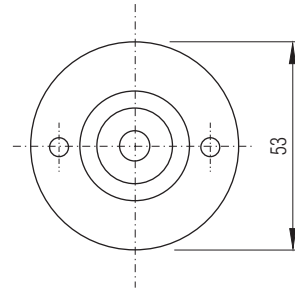
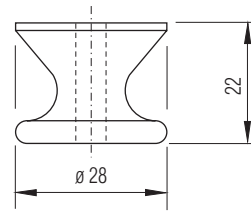
Door retainer strip

- Consisting of an elastic strip, with fixing hole, finger hole and 7 cutouts for hanging the retainerstrip on the knob bolts at specific distances (631 896), 2 fixing plates (628 995) and 2 knob bolts for fixing the retainerstrip (631 897)
- The retainerstrip is pivot mounted in the fixing plates
- Fixing plates with 1 central hole $\varnothing 8.5$ mm
- Knob bolts with 1 central fixing hole $\varnothing 6.5$ mm

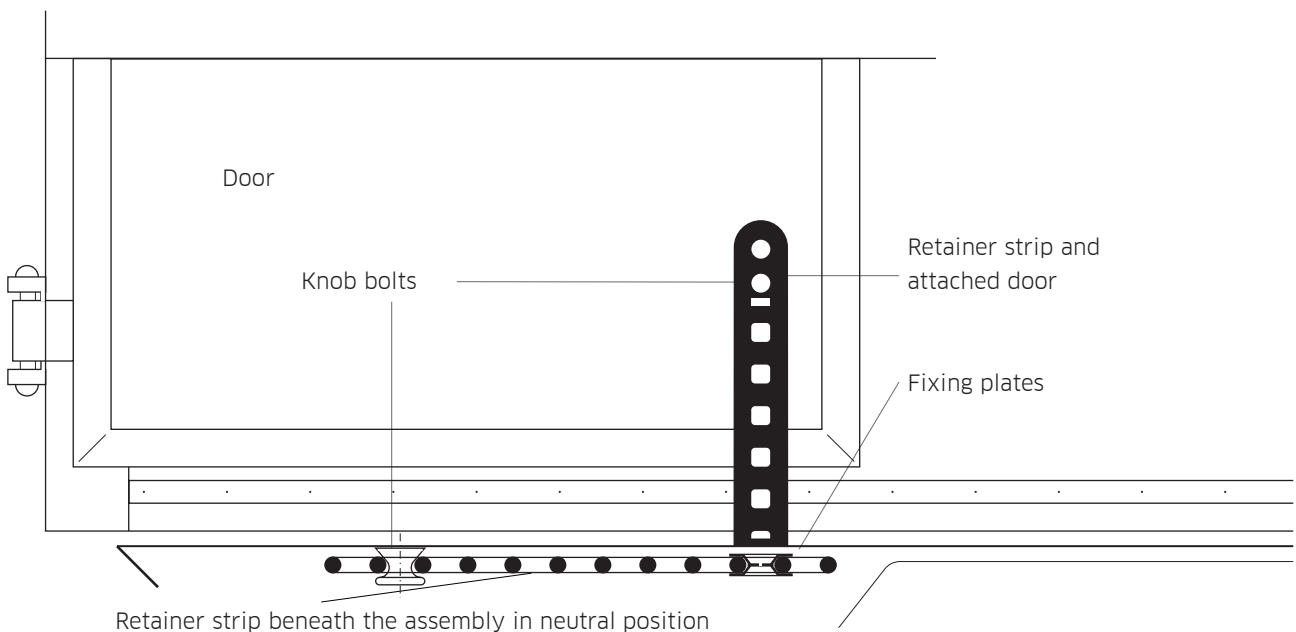
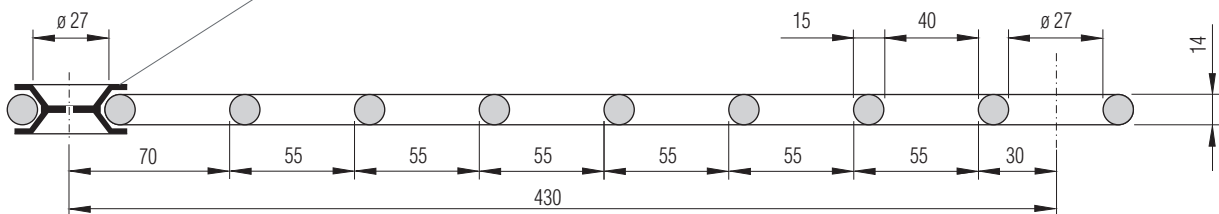
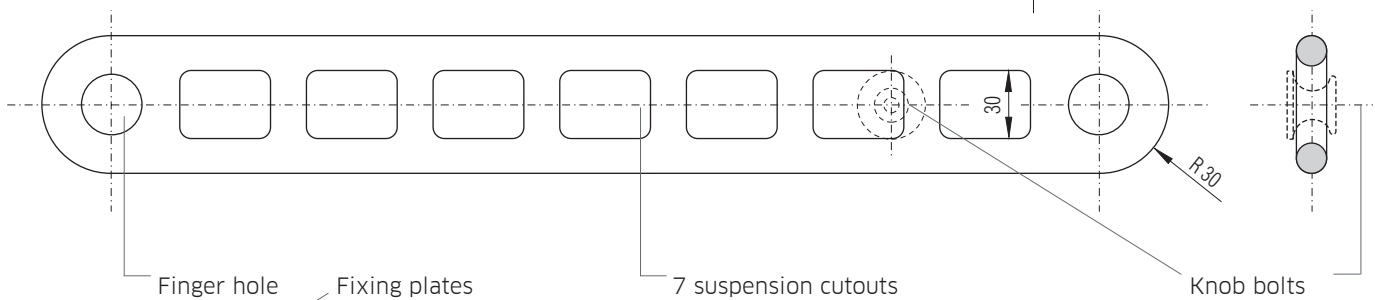
Material: Retainerstrip Polyurethananer integral foam rubber, black
 Fixing plates steel, galvanised
 Knob bolts aluminium, raw

Weight: approx. 0.310 kg/each

Article No. 631 895 - (complete)



We can also supply the individual components; please state the Article No. shown in ().



All technical specifications contained in this brochure are approximate and no guarantee is given as to their accuracy. Designs are subject to change.

Door strip

Typical fixing example:

Retainer strip 631 895 for attaching a folding leaf system to a GETO Van body kit - rear door assembly.



Telescopic door retainers

GTO spring loaded door retainer

- The spring loaded retainer must be polyurethanelled against a high grade steel compression spring. The compression spring is located inside a sealed aluminium profile housing which is tightened by plastic end covers and protected against dirt and humidity by O rings.
- The plastic cover on the front side is fitted with counter sunk stops which hold the arm in three 90° positions in the released position and prevent it moving into a position other than that required.
- The aluminium strip comes with two longitudinal channels for holding the two, infinitely adjustable fixing brackets which are screw or weld-mounted to the vehicle.
- The internal parts are galvanized, smooth-running and maintenance-free.
- The spring loaded arm has a stroke of approx. 230 mm.

Material: Profile - aluminium, mill finish / anodised
End covers - plastic
End cover screws - stainless steel
Spring - stainless steel
Arm - steel, galvanised or stainless steel
Cover on arm - rubber, black
Fixing brackets - steel, galvanised / stainless steel
(Fixing fittings - steel, galvanised / stainless steel)

Weight: 1.890 kg/each
Article No. 631 901 - Steel, galvanised
631 903 - Stainless steel

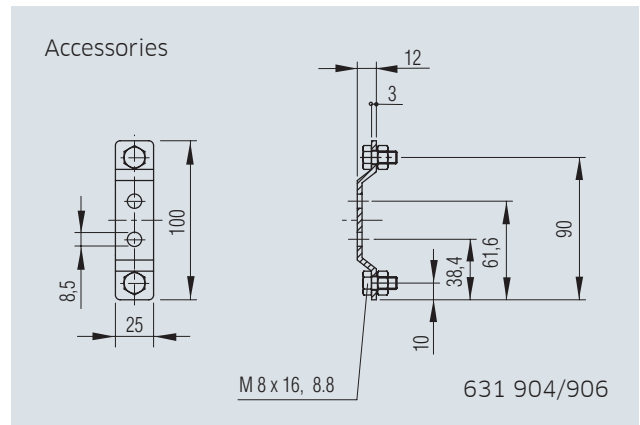
Accessories: Article No. 631 904 fixing bracket set
Steel, galvanised, including fixing fittings
Article No. 631 906 fixing bracket set
Stainless steel, including fixing fittings

Weight: 0.175 kg/per set

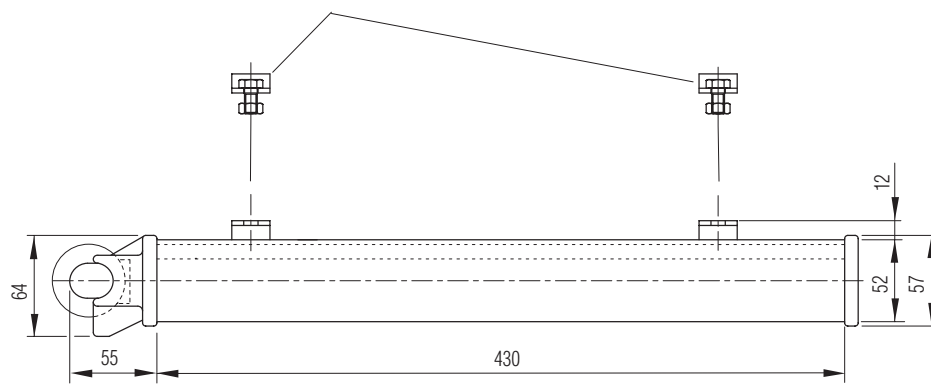
Using the additional fixing brackets, which are screwed or welded beneath the loading surfaces provides the option for securing the spring loaded arm door retainerto these surfaces.



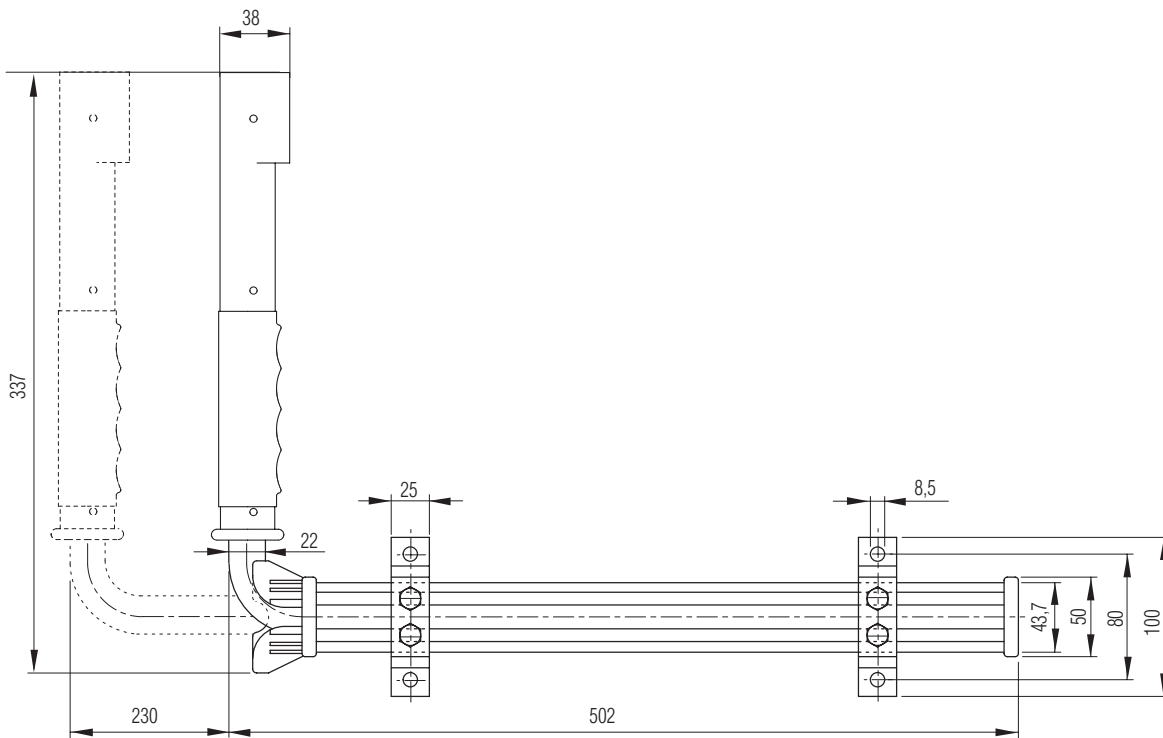
Telescopic door retainers



Accessories



631 901/903



All technical specifications contained in this brochure are approximate and no guarantee is given as to their accuracy. Designs are subject to change.

Telescopic door retainers

„Walking stick“ door retainer

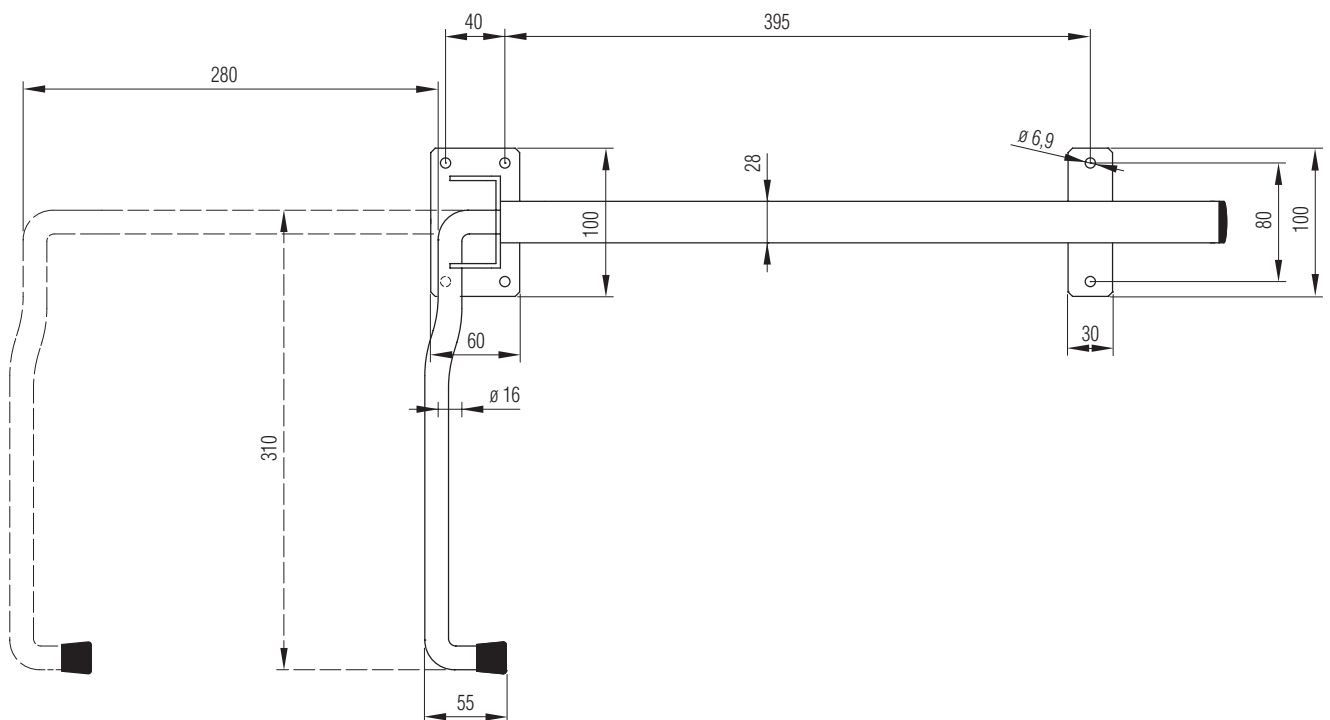
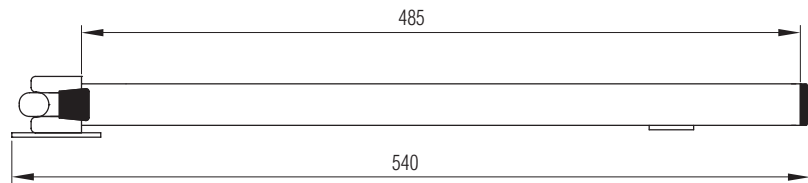
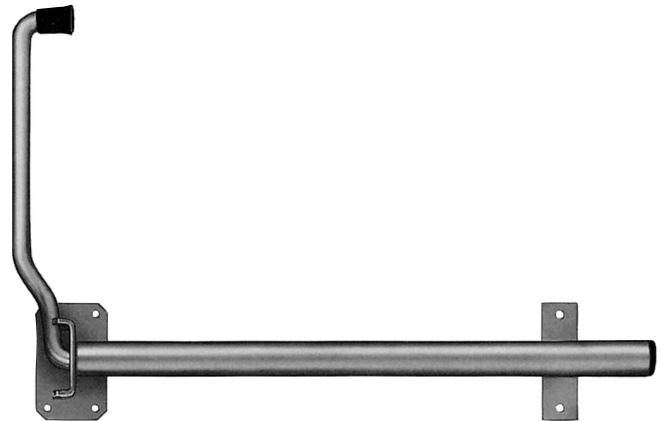
- Telescopic retainer arm, pivoting, tube-mounted
 Completely electro galvanised - including internal parts!
- Retainer arm telescopic length 280 mm (stroke)
- Replaceable rubber stop on the retainer arm

Material: Steel, electro galvanised - including internal parts

Rubber stop, black

Weight: 2.33 kg/each

Article No. 631 907 001



Handles made of PU / other materials

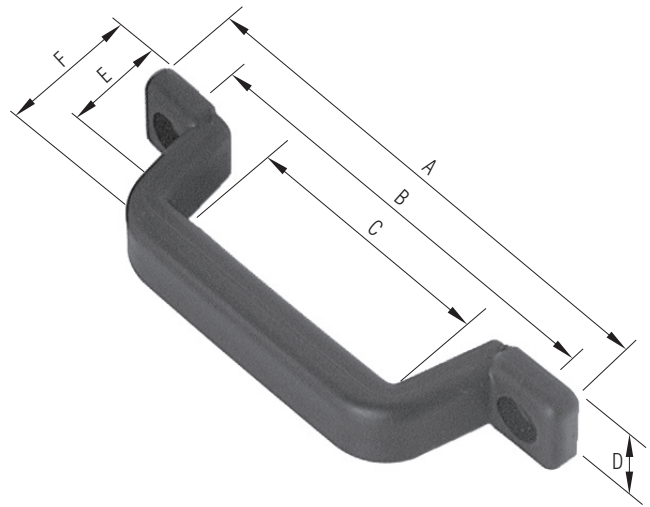
elasti-handles made of polyurethane-based, integral foam rubber

Titgemeyer handles have a clean, smooth, non-porous and consequently extremely attractive surface, are „hand-friendly“ and provide a real „grip“ - even in Winter when e.g. metal handles are „ice cold“. They are corrosion-free, light-weight, resistant to most oils and fats, petrol, light acids and diluted alkalines. The insulation value is another part of the „hand-friend-liness“! Static discharge and leaked current are done away with.

elasti-handle

As an operating handle for doors, lids, flaps, hoods, sky lights on vehicle fixings, housings, equipment, units, machinery, refrigeration and cellar rooms and for many other applications. As a carrying bracket for crates, boxes and other containers. Load bearing capacity in all directions thanks to the sturdy, foam rubber, galvanised steel moulding which simultaneously acts as a screw mounting basis with the facility for counter sunk fixing.

Material: Polyurethane-based integral foam rubber, black



is the sign for
Titgemeyer Polyurethaner
integral foam rubber mouldings

Dimensions						Screw fixing hole	Weight approx.	Article No.
A	B	C	D	E	F	ø	[kg/each]	
[mm]	[mm]	[mm]	[mm]	[mm]	[mm]	[mm]		
190	160	100	30	32	50	6.5	0.140	588 242
280	250	175	30	35	55	8.4	0.185	633 501

Handles made of PU / other materials

Plastic handle

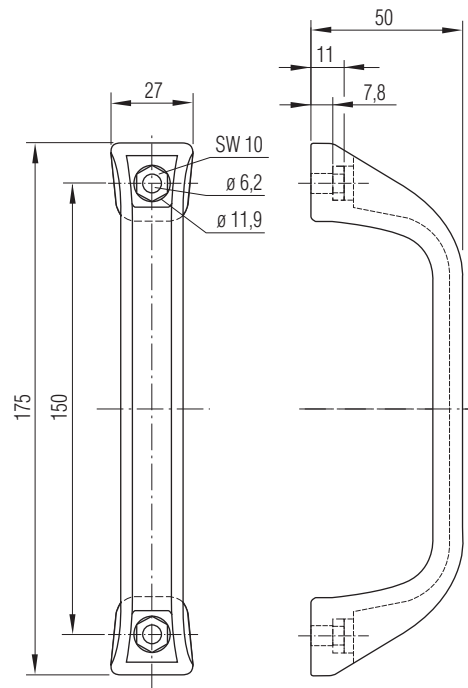
- As an operating handle for doors, lids, flaps, hoods, sky lights on vehicle fixings, housings, equipment, units, machinery, refrigeration and cellar rooms and for many other applications
- As a carrying bracket for crates, boxes and other containers

Screw fixing hole \varnothing : 6.2 mm, counter sunk

Material: Plastic, black

Weight: approx. 0.075 kg/each

Article No. 633 012



Handle 139 mm

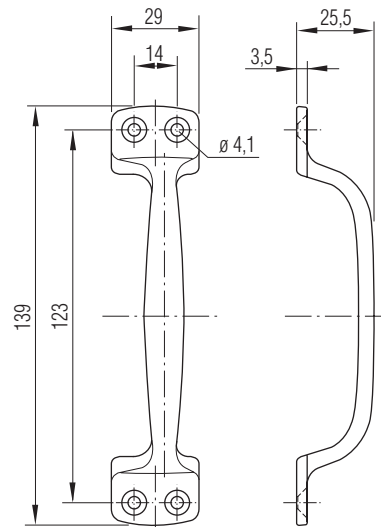
- As an operating handle for doors, lids, flaps, hoods, sky lights on vehicle fixings, housings, equipment, units, machinery, refrigeration and cellar rooms and for many other applications
- As a carrying bracket for crates, boxes and other containers

Screw fixing hole \varnothing : 4.1 mm, counter sunk

Material: Aluminium, polished

Weight: approx. 0.025 kg/each

Article No. 633 050



Handles made of PU / other materials

Handle 170 mm

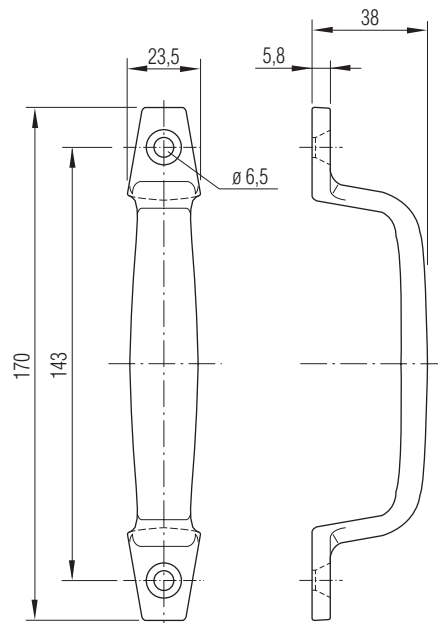
- As an operating handle for doors, lids, flaps, hoods, sky lights on vehicle fixings, housings, equipment, units, machinery, refrigeration and cellar rooms and for many other applications
- As a carrying bracket for crates, boxes and other containers

Screw fixing hole \varnothing : 6.5 mm, counter sunk

Material: Aluminium, polished

Weight: approx. 0.070 kg/each

Article No. 633 055



Handle 215 mm

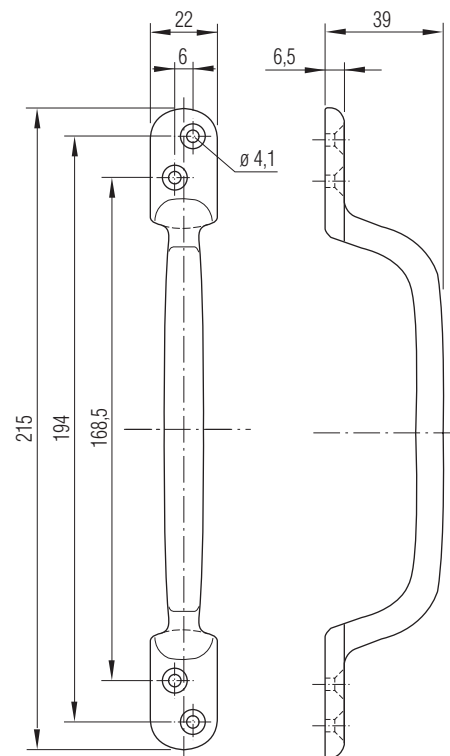
- As an operating handle for doors, lids, flaps, hoods, sky lights on vehicle fixings, housings, equipment, units, machinery, refrigeration and cellar rooms and for many other applications.
- As a carrying bracket for crates, boxes and other containers.

Screw fixing hole \varnothing : 4.1 mm, counter sunk

Material: Aluminium, polished

Weight: approx. 0.060 kg/each

Article No. 633 065



Handles made of PU / other materials

Handle 209 mm

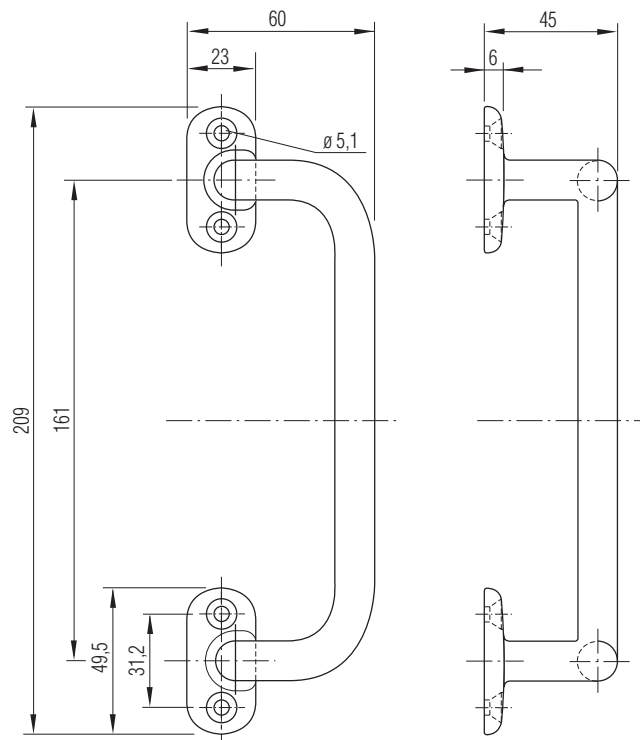
- As an operating handle for doors, lids, flaps, hoods, sky lights on vehicle fixings, housings, equipment, units, machinery, refrigeration and cellar rooms and for many other applications
- As a carrying bracket for crates, boxes and other containers

Screw fixing hole \varnothing : 5.1 mm, counter sunk

Material: Aluminium, polished

Weight: approx. 0.129 kg/each

Article No. 633 070



Handle 200 mm

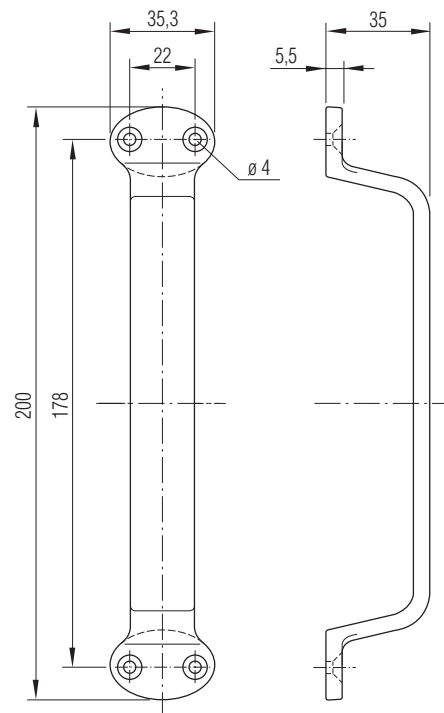
- As an operating handle for doors, lids, flaps, hoods, sky lights on vehicle fixings, housings, equipment, units, machinery, refrigeration and cellar rooms and for many other applications
- As a carrying bracket for crates, boxes and other containers

Screw fixing hole \varnothing : 4 mm, counter sunk

Material: Aluminium, polished

Weight: approx. 0.080 kg/each

Article No. 633 075



Handles made of PU / other materials

Handle 363 mm, with joggle

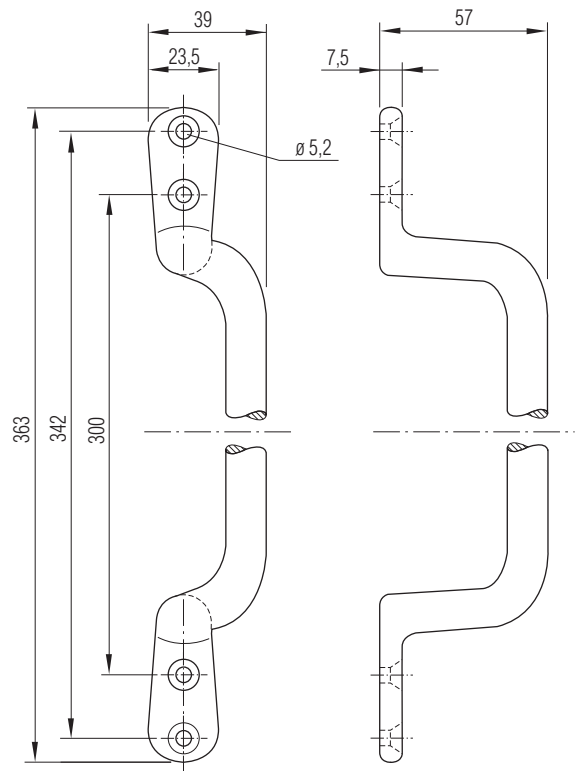
- As an operating handle for doors, lids, flaps, hoods, sky lights on vehicle fixings, housings, equipment, units, machinery, refrigeration and cellar rooms and for many other applications
- As a carrying bracket for crates, boxes and other containers

Screw fixing hole \varnothing : 5.2 mm, counter sunk

Material: Aluminium, polished

Weight: approx. 0.187 kg/each

Article No. 633 115



Handle 420 mm

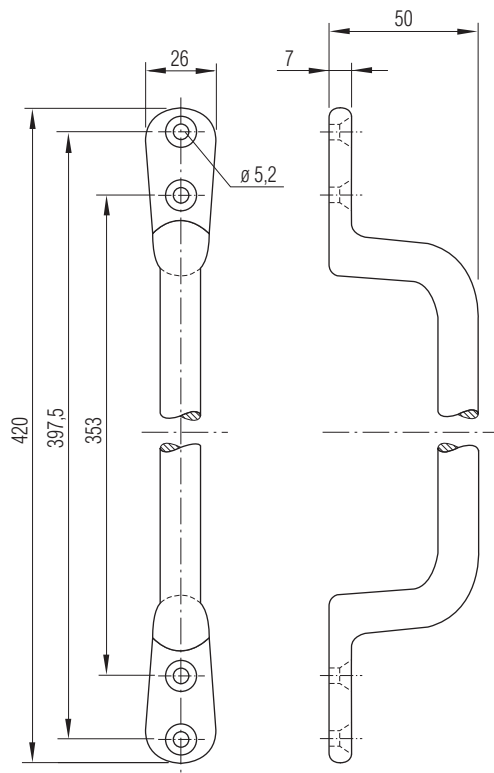
- As an operating handle for doors, lids, flaps, hoods, sky lights on vehicle fixings, housings, equipment, units, machinery, refrigeration and cellar rooms and for many other applications
- As a carrying bracket for crates, boxes and other containers

Screw fixing hole \varnothing : 5 mm, counter sunk

Material: Aluminium, polished

Weight: approx. 0.225 kg/each

Article No. 633 120



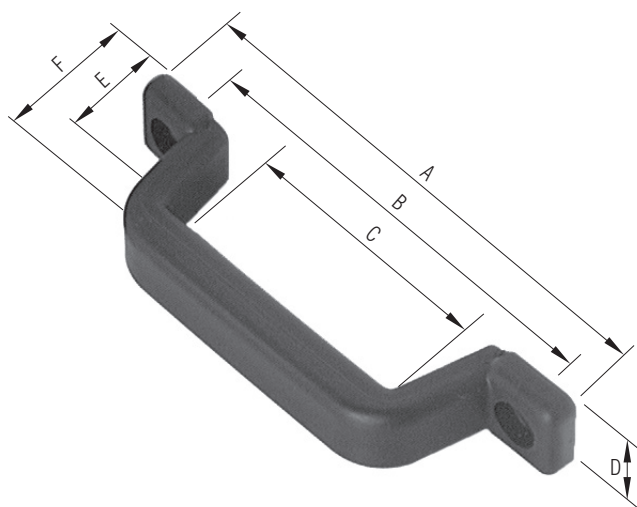
Handles made of PU / other materials

Titgemeyer handles have a clean, smooth, non-porous and consequently extremely attractive surface, are „hand-friendly“ and provide a real „grip“ - even in Winter when e.g. metal handles are „ice cold“. They are corrosion-free, light-weight, resistant to most oils and fats, petrol, light acids and diluted alkalines.

The insulation valuminiume is another part of the „hand-friend-liness“! Static discharge and leakage current are done away with.

Rubber handle

- As an operating handle for doors, lids, flaps, hoods, sky lights on vehicle fixings, housings, equipment, units, machinery, refrigeration and cellar rooms and for many other applications
- As a carrying bracket for crates, boxes and other containers
- Load bearing capacity in all directions thanks to the sturdy, foam rubber, galvanised steel moulding which simultaneously acts as a screw mounting basis with the facility for counter sunk fixing



Material: Rubber, black

Dimensions						Screw fixing hole	Weight approx.	Article No.
A	B	C	D	E	F	ø		
[mm]	[mm]	[mm]	[mm]	[mm]	[mm]	[mm]	[kg/each]	
190	160	100	30	32	50	6.5	0.18	633 410
280	250	175	30	35	55	6.5	0.30	633 420

Recessed handles

elasti-recessed handles

- Designed specially for installing on sliding doors, sliding panels, French doors, swivel panels, partition panels, flaps, covers, hoods, housings, gates etc.
- Also suitable as a carrying handle for specific applications
- Designed to be extremely „hand-friendly“. Screw mounting frame and grip frame with one piece, foam rubber moulding made of galvanised sheet metal

Screw fixing holes: 10 piece

Screw fixing hole \varnothing : 5 mm, counter sunk

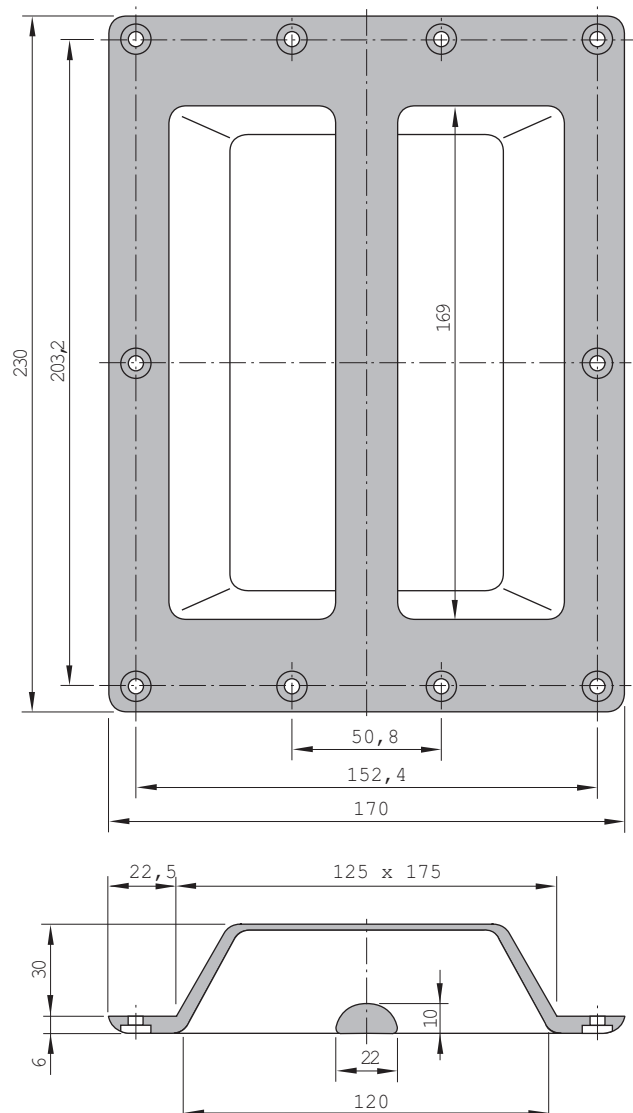
Material: Polyurethane-based integral foam rubber, black

Weight: approx. 0.375 kg/each

Article No. 633 211



is the sign for Titgemeyer
Polyurethananer integral foam
rubber mouldings

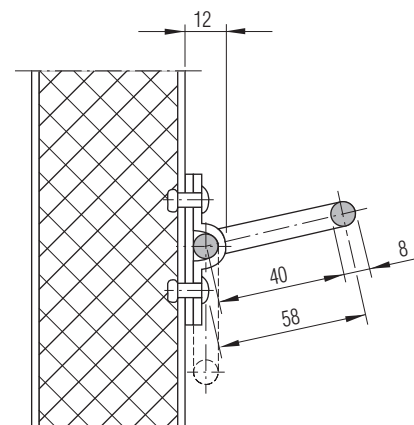
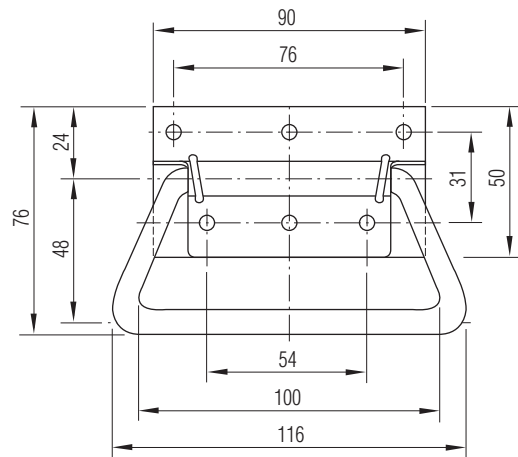


Hinged handles

Hinged grip

- Basic hinged grip for fixing to doors, flaps, lids.
- Also suitable as carrying handle for crates, boxes etc. with stop at approx. 100°

Screw fixing holes: 6 piece
Screw fixing hole \varnothing : 5 mm, counter sunk
Material: Stainless steel, polished
Weight: approx. 0.195 kg/each
Article No. 633 020



External handle

External door handle with 8 mm square rod

For opening locks with 8 mm square hole

Hole distance:	36 mm
Installation height:	47 mm
Handle length:	140 mm.
Accessory:	Rubber baseplate Article No. 632 198
Material:	Die-cast metal, chromium-plated
Weight:	approx. 0.350 kg/each
Article No.	632 110 - with cylinder lock



External door handle with 8 mm square hole

For opening locks with 8 mm square hole

Hole distance:	36 mm
Installation height:	56 mm
Handle length:	120 mm
Accessory:	Rubber baseplate Article No. 632 198
Material:	Die-cast metal, chromium-plated
Weight:	approx. 0.310 kg/each
Article No.	632 120 - with cylinder lock
Article No.	632 121 - without cylinder lock



External door handle with 8 mm square hole

For opening locks with 8 mm square hole

Hole distance:	38 mm
Installation height:	41 mm
Handle length:	114 mm
	incl. neoprene seal
Material:	Zinc-die metal, chromium-plated
Weight:	approx. 0.300 kg/each
Article No.	632 122 - with cylinder lock



External handle

Cross handle with 8 mm square rod

For opening locks with 8 mm square hole

Hole distance:	36 mm
Installation height:	53 mm
Handle length:	81 mm
Accessory:	Rubber baseplate Article No. 632 198
Material:	Die-cast metal, chromium-plated
Weight:	approx. 0.250 kg/each
Article No.	632 190 - with cylinder lock



POLYURETHANER external door handle with 10 mm square hole

For opening locks with 10 mm square hole

Installation height:	35 mm
Handle length:	125 mm
Material:	Polyurethaner integral foam rubber, black
Weight:	approx. 0.160 kg/each
Article No.	633 510 - right
Article No.	633 511 - left



Internal handles

Internal handle with 8 mm square hole

Installation height: 29 mm
Handle length: 85 mm
Material: Die-cast metal, chromium-plate
Weight: approx. 0.060 kg/each
Article No. 632 230 - Internal handle



POLYURETHANER inner handle with 10 mm square hole

Installation height: 35 mm
Handle length: 120 mm
Material: Polyurethaner integral foam rubber, black
Weight: approx. 0.120 kg/each
Article No. 632 240 - right
Article No. 632 241 - left



Accessories

Budget lock key for 8 mm square hole

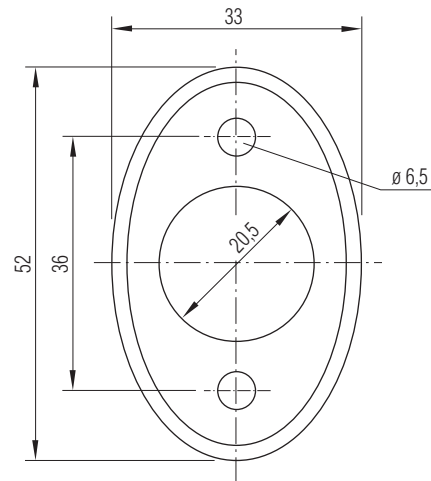
Rod length: 632 010 - 90 mm
632 020 - 120 mm
Material: Tempered steel, hot-dip galvanised
Weight: approx. 0.065 kg/each
Article No. 632 010
632 020



Rubber baseplate

As base for door handle baseplates

Hole distance: 36 mm
Material: Rubber, black
Weight approx. 0.004 kg/each
Article No. 632 198



Titgemeyer GmbH & Co. KG

Hannoversche Straße 97
49084 Osnabrück / DE

P.O. Box 4320
49033 Osnabrück / DE

T +49 541 5822-0
E info@titgemeyer.com
W titgemeyer.com