

Part No. 99-0176

# LBH 12

Hydraulic installation tool for lockbolts



## Scope of use:

Ø of the rivet	12.7 mm (1/2")	16 mm (5/8")
Lockbolt	✓	

## Technical parameters:

Model	LBH 12
Pulling Force	155 kN / 45 Mpa
Working Stroke	46 mm
Weight (Without Hoses)	8.5 kg
Maximum Pressure	60 MPa
Height	244 mm
Length	307 mm
Length of Hoses	1 m
Control Voltage	24 V

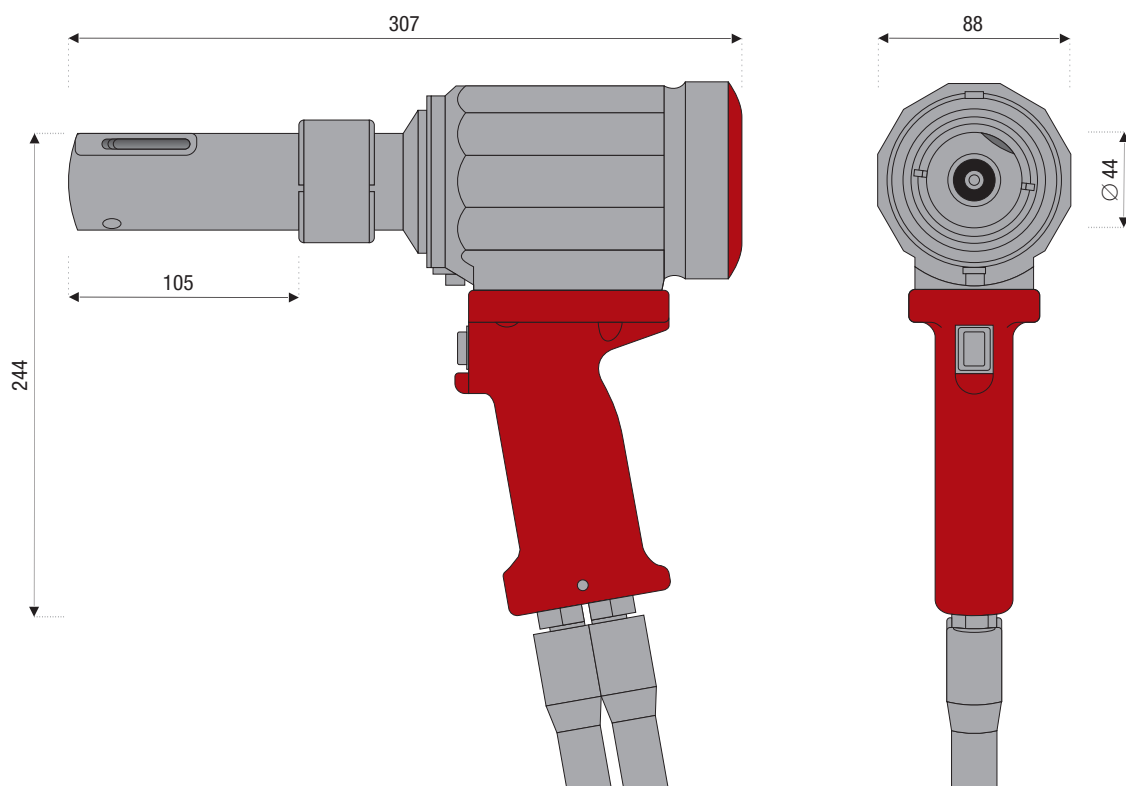
## Description:

- low value of transferred vibrations
- robust construction
- ergonomic handle is comfortable to hold
- simple operation
- automatic ejection of the pintail
- easy maintenance



## Dimensions of tool:

# LBH 12



## Standard accessories:

Description	Part No.
Nose Assembly LB12	99-0186

## Power Unit:

Description	Part No.
Power Unit HV 703	99-0110

## Optional accessories:

Description	Part No.
Extended Hoses 3 m	99-0180
Extended Hoses 10 m	99-0181
Extended Hoses 15 m	99-0182
Hydraulic Oil 1 l	87-0188



Part No. 99-0110

# HV 703

Hydraulic aggregate



## Scope of use:

Lockbolts  $\varnothing$  5–25.4 mm

## Technical parameters:

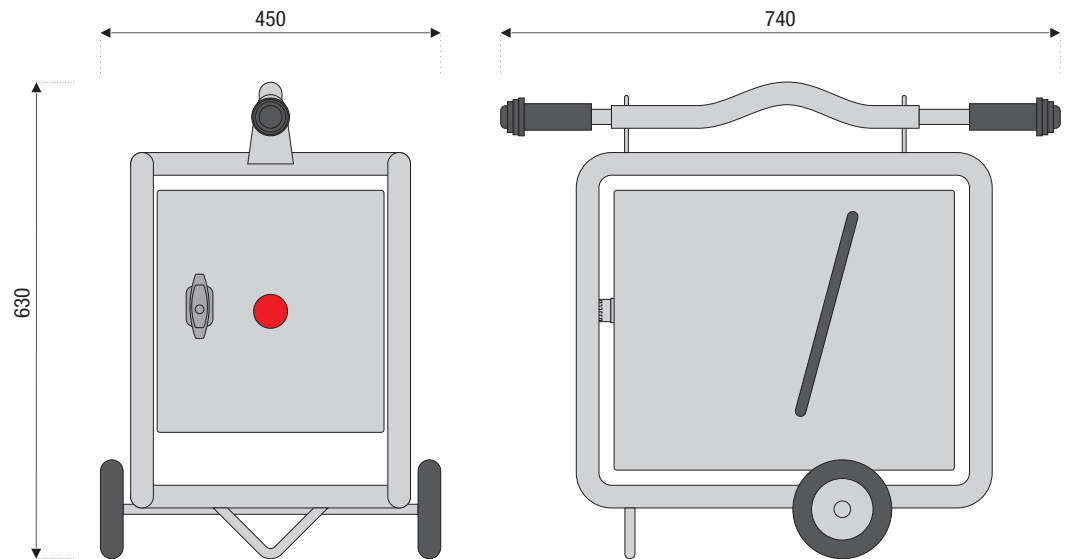
Model	HV 703
Supply	400 V/50 Hz
Control of Supply	24 V DC
Output of the Engine	2.2 kW
Output of Pump	3 l/min
Maximum Pressure	65 MPa
Dimensions	740 × 450 × 630 mm
Weight	90 kg

## Description:

High performance industrial aggregate for operation on three shifts

- heavy duty construction
- programmable pressure switch
- protective frame with lifting attachment
- simple operation and maintenance – easy manipulation (compatible with HUCK tools)

# HV 703



## Optional accessories:

Description	Part No.
Hydraulic installation tool for lockbolts LBH12	99-0176
Hydraulic installation tool for lockbolts LBH16	99-0177
Nose Assembly LB12	99-0186
Nose Assembly LB16	99-0187
Extended Hoses 3 m	99-0180
Extended Hoses 10 m	99-0181
Extended Hoses 15 m	99-0182
Hydraulic Oil 1 l	87-0188