

Fastening Technology / Lockbolt Systems

## BobTail<sup>®</sup>

Lockbolt System - Pintail-less Design





# Contents

			Page
Lockbolt systems	BobTail® Lockbolt systems - pintail-less	Overview	4
		Truss	6
		Flanged collar	8

# BobTail® lockbolts



## Faster installation, easier tools, more time-savings

The BobTail® lockbolt system offers the highest levels of safety for all permanent fastener applications. BobTail® is the next evolution in Huck pin and collar technology - with an array of outstanding features going for it: there are no breakoff pintails, no mandrels, no corrosion points - in other words, no waste. Compliance with environmental and noise emissions is no issue whatsoever, as the typical bang otherwise heard on installation has been eliminated. The availability of significantly lighter tools makes for a more ergonomic process and more efficient performance. Unlike conventional fastener systems, these pins are especially ideal for permanently marrying different materials, such as steel, stainless steel, aluminium alloys, or plastics. This ability to perform with mixed

structures benefits lightweight construction and reduces the mass weight of the overall design.

BobTail® is a grade 10.9 bolt that stands out for its high fatigue and clamp strength with a high dynamic load. The readily identifiable economic and ecological benefits make the BobTail® lockbolt system a highly attractive product for fulfilling the demands that trade and industry place on modern fasteners - especially the commercial vehicle and automotive sectors.

## Tools to match the BobTail®

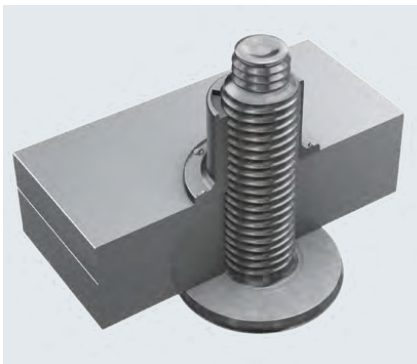
Special hydraulic tools are available for installing the BobTail® lockbolt system. These comprise a nose assembly and puller, along with a hydraulic power unit. The tools have also been designed for lockbolt pre-assembly. The bolt is held in place by a fixing attached to the collar. This ensures that every lockbolt is installed to the

same high level. Installing the bolts is exceptionally easy and barely takes 2 seconds per fastener. The strength values for the fastener are generated automatically during the installation sequence. No tightening or retorque is needed. Unlike conventional nuts and bolts, lockbolts will not come loose even when subjected to heavy vibrations. A simple visual inspection is all that is needed to determine if the fastener has been correctly installed. The tools have been engineered to enable even untrained operators to constantly achieve the same high levels of quality after some brief training.



## Benefits at a glance

- No pintail, no pin break
- Lower material consumption
- Low installation noise, no banging noise
- Increased corrosion resistance
- Pre-assembly possible
- Quick and easy installation
- No installation tool recoil
- No discharged pintails
- No corrosion-prone breakneck grooves
- High-strength, grade 10.9 fasteners
- High-quality, corrosion-resistant coating systems possible
- Installation indicator on collar for visual installation inspection

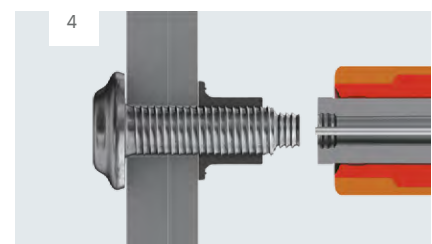
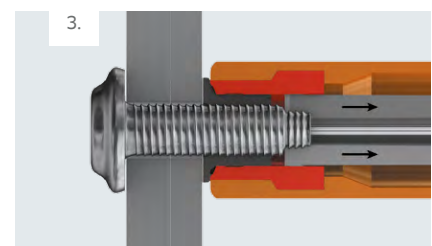
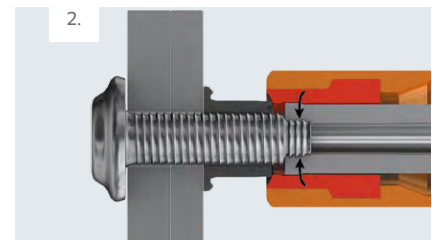
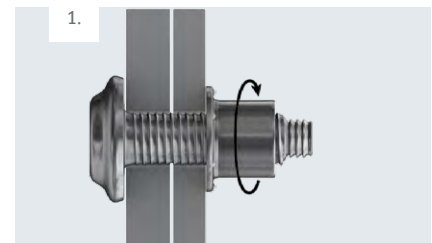


## Installation steps

1. Pre-assembly: The pin is inserted into the prepared hole, and the collar is rotated onto the pin.
2. The nose assembly is applied to the pin grooves: The tool is applied to the annular pull grooves and triggered. A puller in the nose assembly draws the pin into the tool. The anvil presses the collar against the pin and tension loads the joint.
3. As the nose assembly continues to pull, the anvil swages the collar. The material flows into the lock grooves, with part of it also being pressed towards the component. This significantly increases the clamp force between the two components.
4. The anvil retracts and the jaws are released. The swaging of the collar is complete. The tool ejects the fastener. The installation sequence is complete.

### Please note:

The markings (swage indicators) on the flange are used to visually check that the fastener has been properly installed. The installation is correct if the swage indicators are indented. A ring gauge can also be used to check if the collar has been swaged.

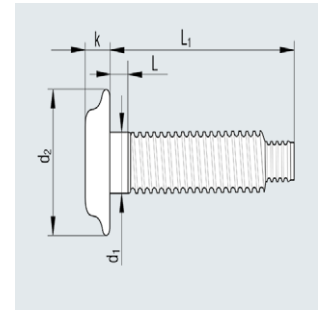
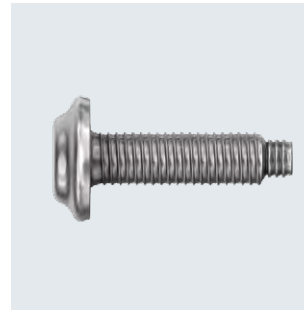


# BobTail® lockbolt systems - pintail-less

## Truss

### Material

Carbon steel 10.9, black



Nominal bolt $\varnothing$	Bore $\varnothing$	Grip range						Shear strength	Tensile strength	Clamp	Article No.
[mm]	[mm]	s [mm]	L [mm]	L1 max [mm]	d1 [mm]	d2 [mm]	k max [mm]	[N]	[N]	[N]	
12.0	12.0 - 13.5	5.0 - 15.0	3.8	46.1	12.0	25.4	9.6	65400	87700	64900	380 180 000
		10.0 - 20.0	3.8	51.1	12.0	25.4	9.6	65400	87700	64900	380 181 000
		15.0 - 25.0	3.8	56.1	12.0	25.4	9.6	65400	87700	64900	380 182 000
		20.0 - 30.0	3.8	61.1	12.0	25.4	9.6	65400	87700	64900	380 183 000
		25.0 - 35.0	3.8	66.1	12.0	25.4	9.6	65400	87700	64900	380 184 000
		30.0 - 40.0	3.8	71.1	12.0	25.4	9.6	65400	87700	64900	380 185 000
		35.0 - 45.0	3.8	76.1	12.0	25.4	9.6	65400	87700	64900	380 186 000
		40.0 - 50.0	3.8	81.1	12.0	25.4	9.6	65400	87700	64900	380 187 000
		45.0 - 55.0	3.8	86.1	12.0	25.4	9.6	65400	87700	64900	380 188 000
		50.0 - 60.0	3.8	91.1	12.0	25.4	9.6	65400	87700	64900	380 189 000
		55.0 - 65.0	3.8	96.1	12.0	25.4	9.6	65400	87700	64900	380 190 000
		60.0 - 70.0	3.8	101.1	12.0	25.4	9.6	65400	87700	64900	380 191 000
		65.0 - 75.0	3.8	106.1	12.0	25.4	9.6	65400	87700	64900	380 192 000
		70.0 - 80.0	3.8	111.1	12.0	25.4	9.6	65400	87700	64900	380 193 000
		75.0 - 85.0	9.5	116.1	12.0	25.4	9.6	65400	87700	64900	380 194 000
14.0	14.0 - 15.5	5.0 - 15.0	3.8	49.0	14.0	30.0	11.5	94000	120000	87000	380 280 000
		10.0 - 20.0	3.8	54.0	14.0	30.0	11.5	94000	120000	87000	380 281 000
		15.0 - 25.0	3.8	59.0	14.0	30.0	11.5	94000	120000	87000	380 282 000
		20.0 - 30.0	3.8	64.0	14.0	30.0	11.5	94000	120000	87000	380 283 000
		25.0 - 35.0	3.8	69.0	14.0	30.0	11.5	94000	120000	87000	380 284 000
		30.0 - 40.0	3.8	74.0	14.0	30.0	11.5	94000	120000	87000	380 285 000
		35.0 - 45.0	3.8	79.0	14.0	30.0	11.5	94000	120000	87000	380 286 000
		40.0 - 50.0	3.8	84.0	14.0	30.0	11.5	94000	120000	87000	380 287 000
		45.0 - 55.0	3.8	89.0	14.0	30.0	11.5	94000	120000	87000	380 288 000
		50.0 - 60.0	3.8	94.0	14.0	30.0	11.5	94000	120000	87000	380 289 000
		55.0 - 60.0	3.8	99.0	14.0	30.0	11.5	94000	120000	87000	380 290 000
		60.0 - 70.0	3.8	104.0	14.0	30.0	11.5	94000	120000	87000	380 291 000
		65.0 - 75.0	3.8	109.0	14.0	30.0	11.5	94000	120000	87000	380 292 000
		70.0 - 80.0	9.5	114.0	14.0	30.0	11.5	94000	120000	87000	380 293 000
		75.0 - 85.0	9.5	119.0	14.0	30.0	11.5	94000	120000	87000	380 294 000

Continued on next page

All technical data is intended as a guide but is not binding! Subject to change without notice.

Cont'd

Nominal bolt ø	Bore ø	Grip range						Shear strength	Tensile strength	Clamp	Article No.
[mm]	[mm]	s [mm]	L [mm]	L1 max [mm]	d1 [mm]	d2 [mm]	k max [mm]	[N]	[N]	[N]	
16.0	16.0 - 17.5	5.0 - 15.0	3.8	52.0	16.0	33.8	12.2	122000	163000	116000	380 380 000
		10.0 - 20.0	3.8	57.0	16.0	33.8	12.2	122000	163000	116000	380 381 000
		15.0 - 25.0	3.8	62.0	16.0	33.8	12.2	122000	163000	116000	380 382 000
		20.0 - 30.0	3.8	67.0	16.0	33.8	12.2	122000	163000	116000	380 383 000
		25.0 - 35.0	3.8	72.0	16.0	33.8	12.2	122000	163000	116000	380 384 000
		30.0 - 40.0	3.8	77.0	16.0	33.8	12.2	122000	163000	116000	380 385 000
		35.0 - 45.0	3.8	82.0	16.0	33.8	12.2	122000	163000	116000	380 386 000
		40.0 - 50.0	3.8	87.0	16.0	33.8	12.2	122000	163000	116000	380 387 000
		45.0 - 55.0	9.5	92.0	16.0	33.8	12.2	122000	163000	116000	380 388 000
		50.0 - 60.0	9.5	97.0	16.0	33.8	12.2	122000	163000	116000	380 389 000
		55.0 - 65.0	9.5	102.0	16.0	33.8	12.2	122000	163000	116000	380 390 000
		60.0 - 70.0	9.5	107.0	16.0	33.8	12.2	122000	163000	116000	380 391 000
		65.0 - 75.0	9.5	112.0	16.0	33.8	12.2	122000	163000	116000	380 392 000
		70.0 - 80.0	9.5	117.0	16.0	33.8	12.2	122000	163000	116000	380 393 000
		75.0 - 85.0	9.5	122.0	16.0	33.8	12.2	122000	163000	116000	380 394 000
20.0	20.0 - 22.0	5.0 - 15.0	3.8	60.7	20.0	42.4	16.0	191000	255000	181000	380 480 000
		10.0 - 20.0	3.8	65.7	20.0	42.4	16.0	191000	255000	181000	380 481 000
		15.0 - 25.0	3.8	70.7	20.0	42.4	16.0	191000	255000	181000	380 482 000
		20.0 - 30.0	3.8	75.7	20.0	42.4	16.0	191000	255000	181000	380 483 000
		25.0 - 35.0	3.8	80.7	20.0	42.4	16.0	191000	255000	181000	380 484 000
		30.0 - 40.0	3.8	85.7	20.0	42.4	16.0	191000	255000	181000	380 485 000
		35.0 - 45.0	3.8	90.7	20.0	42.4	16.0	191000	255000	181000	380 486 000
		40.0 - 50.0	3.8	95.7	20.0	42.4	16.0	191000	255000	181000	380 487 000
		45.0 - 55.0	3.8	100.7	20.0	42.4	16.0	191000	255000	181000	380 488 000
		50.0 - 60.0	3.8	105.7	20.0	42.4	16.0	191000	255000	181000	380 489 000
		55.0 - 65.0	3.8	110.7	20.0	42.4	16.0	191000	255000	181000	380 490 000
		60.0 - 70.0	9.5	115.7	20.0	42.4	16.0	191000	255000	181000	380 491 000
		65.0 - 75.0	9.5	120.7	20.0	42.4	16.0	191000	255000	181000	380 492 000
		70.0 - 80.0	9.5	125.7	20.0	42.4	16.0	191000	255000	181000	380 493 000
		75.0 - 85.0	9.5	130.7	20.0	42.4	16.0	191000	255000	181000	380 494 000

Other designs available on request.

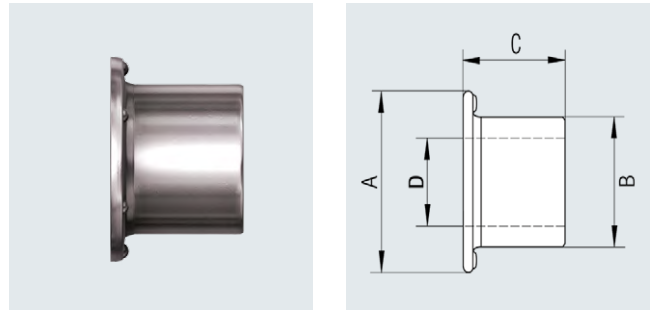
All technical data is intended as a guide but is not binding! Subject to change without notice.

# BobTail® lockbolt systems – pintail-less

## Flanged collar

### Material

Carbon steel 10.9, black



For nominal bolt ø [mm]	A nom [mm]	B nom [mm]	C max [mm]	D max [mm]	Article No.
12.0	25.4	18.4	17.7	12.3	380 199 000
14.0	30.0	21.5	21.5	14.4	380 299 000
16.0	33.8	24.5	23.7	16.4	380 399 000
20.0	42.4	30.6	29.6	20.5	380 499 000

Other designs available on request.



# Notes

A large grid of graph paper for taking notes, consisting of 20 columns and 40 rows of small squares.

All technical data is intended as a guide but is not binding! Subject to change without notice.

## Notes

A large grid of graph paper for taking notes, consisting of 20 columns and 40 rows of small squares.

All technical data is intended as a guide but is not binding! Subject to change without notice.

**Copyright**

All texts, images, technical documents and other information contained in this catalogue are subject to copyright held by Titgemeyer GmbH & Co. KG. Any reproduction or disclosure, whether as a copy or other form of duplication or use, is expressly prohibited without the prior consent of Titgemeyer GmbH & Co. KG.

**Registered trademarks**

The trademarks BÖRTI, GETO, GETO therm, GETOVAN, GTO, LockBolt, MEGA PORT, plasti van, PLYFIX, POLYSTIC, press-ti, RIEKO, RIV-TI, ROLL-TO, TIBOLT, TIBULB, TIFAS, TILA, TIOS and Titgemeyer are registered trademarks and the intellectual property of Titgemeyer GmbH & Co. KG.

**Term of Delivery and Payment**

All deliveries are carried out in compliance with our Terms of Delivery and Payment.

**Limitation of liability**

All technical data, performance descriptions, drawings, illustrations, measurements, weights or any other performance data, recommendations and guidelines contained in this catalogue and relating to the installation of parts that we supply are only binding if so expressly agreed. Moreover, the user is obliged at all times to check each individual use and decide whether the components that we supply can be used as needed.

We accept liability in the case of wilful intent, gross negligence and infringement of cardinal contractual duties as well as for errors in respect of express or implied representations. Notwithstanding this, any claims for compensation not explicitly agreed to in these terms and conditions are hereby excluded in the case of customers who are not consumers and, in the case of such customers, who are not consumers, at all events limited to the damage foreseeable at the time of concluding the contract as well as to the value of the delivered consignment. To the extent that our liability is excluded or limited, this shall extend accordingly to the personal liability of employees, legal representatives and vicarious agents. In all instances of gross negligence committed by vicarious agents, we shall solely be liable to customers, who are not consumers, to compensate for typically foreseeable damage. The statutory regulation governing the burden of proof shall remain unaffected. The aforementioned limitation of liability shall not apply to claims resulting from product liability, for damage resulting from injury to life, limb or health, or for damage to privately used property.

**All technical specifications contained in this brochure are approximate and no guarantee is given as to their accuracy. Designs are subject to change.**

## About us

The Titgemeyer Group is a leading company for fastening technology and vehicle components at 15 locations in Europe.

The traditional company develops, manufactures and sells more than 30,000 fastening elements, tools and vehicle components – in series production and on request.

### Headquarters

**Titgemeyer GmbH & Co. KG**  
Hannoversche Straße 97  
49084 Osnabrück / DE

PO Box 4320  
49033 Osnabrück / DE

T +49 541 5822-0  
E [info@titgemeyer.com](mailto:info@titgemeyer.com)  
W [titgemeyer.com](http://titgemeyer.com)



### Sales locations

**Titgemeyer Austria GmbH**  
Brunner Straße 77 - 79  
1230 Wien / AT

T +43 (0) 1/6 67 90 40 - 0  
E [sales@titgemeyer.com](mailto:sales@titgemeyer.com)  
W [titgemeyer.at](http://titgemeyer.at)

**Titgemeyer CZ spol. s r. o.**  
U Vodárny 1506  
397 01 Pisek / CZ

T +420 382 2067 - 25  
E [sales@titgemeyer.com](mailto:sales@titgemeyer.com)  
W [titgemeyercz.cz](http://titgemeyercz.cz)

**Titgemeyer Polska sp. z o.o.**  
Cypriana Bazylika 17  
98-200 Sieradz / PL

T +48 (0) 43 828 20 - 15  
E [sales@titgemeyer.com](mailto:sales@titgemeyer.com)  
W [titgemeyer.pl](http://titgemeyer.pl)

**Titgemeyer Skandinavien A/S**  
Lunikvej 32  
2670 Greve / DK

T +45 4360 0966  
E [info@titgemeyer.dk](mailto:info@titgemeyer.dk)  
W [titgemeyer.dk](http://titgemeyer.dk)

**Titgemeyer Skandinavien A/S**  
Box 3218  
550 03 Jönköping / SE

T +46 36 128350  
E [info@titgemeyer.se](mailto:info@titgemeyer.se)  
W [titgemeyer.se](http://titgemeyer.se)

**Titgemeyer Skandinavien A/S**  
Korkeakoulunkatu 7  
33720 Tampere / FI

T +358 (0) 400 448 401  
E [info@titgemeyer.fi](mailto:info@titgemeyer.fi)  
W [titgemeyer.fi](http://titgemeyer.fi)

**Titgemeyer Turkey Baglanti Teknolojileri San. ve Tic. A.S.**  
Barbaros Mah. Is Merkezi No.1  
Kat: 8 D.58  
34746 Atasehir, Istanbul / TUR

T +90 (0) 21 66 88 20 - 27  
E [sales@titgemeyer.com.tr](mailto:sales@titgemeyer.com.tr)  
W [titgemeyer.com.tr](http://titgemeyer.com.tr)

**Titgemeyer (UK) Limited**  
A2 Link One Industrial Park  
George Henry Road  
DY4 7BU Tipton / UK

T +44 (0) 1 21 5 57 97 - 77  
E [sales@titgemeyer.co.uk](mailto:sales@titgemeyer.co.uk)  
W [titgemeyer.co.uk](http://titgemeyer.co.uk)

### Production sites

**Cirteq Limited**  
'Hayfield' Colne Road,  
Glusburn, Keighley,  
West Yorkshire, BD20 8QP

T +44 1535 633333  
E [sales@cirteq.com](mailto:sales@cirteq.com)  
W [cirteq.com](http://cirteq.com)

**Titgemeyer Tools & Automation spol s.r.o.**  
U Vodárny 1506  
397 01 Pisek / CZ

T +42 382 2067 - 11  
E [info@rivetec.cz](mailto:info@rivetec.cz)  
W [rivetec.cz](http://rivetec.cz)

**RIEKO GmbH**  
Robert-Bosch-Straße 9  
72124 Pliezhausen / DE

T +49 7127 9744 - 0  
E [info@rieko-web.com](mailto:info@rieko-web.com)  
W [rieko-web.com](http://rieko-web.com)

**Titgemeyer GmbH & Co. KG Werk Lotte**  
Daimlerstraße 13 - 15  
49504 Lotte / DE

T +49 5404 9666 - 0  
E [info@titgemeyer.com](mailto:info@titgemeyer.com)  
W [titgemeyer.com](http://titgemeyer.com)

**TS Gesellschaft für Transport- und Sicherungssysteme mbH**  
Haßlinghauser Straße 156  
58285 Gevelsberg / DE

T +49 541 5822 - 900  
E [ts@cargocontrol.de](mailto:ts@cargocontrol.de)  
W [wir-sind-ladungssicherung.de](http://wir-sind-ladungssicherung.de)