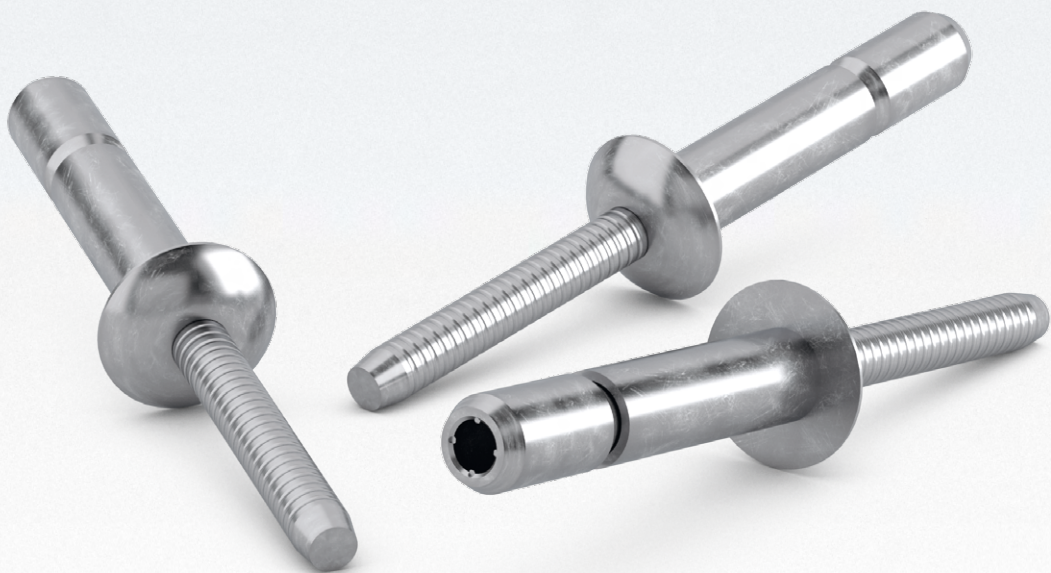


Fastening Technology / Blind Rivets

TIFAS[®] M-Lock Blind Rivets



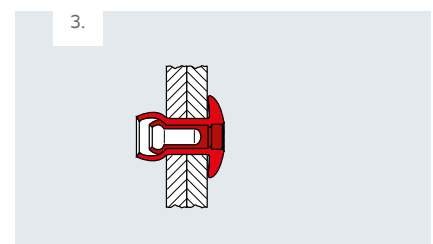
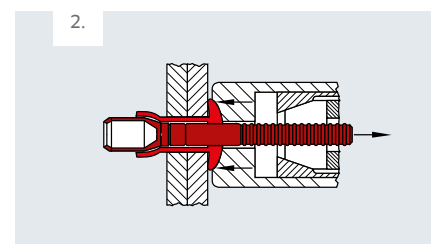
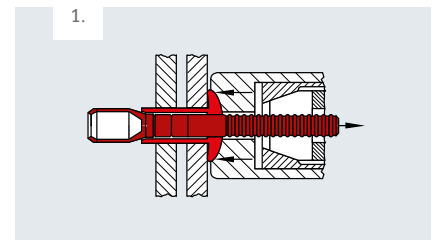
Contents

			Page
TIFAS® M-Lock blind rivets	Overview		5
	Truss head	Steel/steel	6
	Countersunk 100°	Steel/steel	7
	Truss head	Aluminium/aluminium	8
	Countersunk 100°	Aluminium/aluminium	9
	Truss head	Stainless steel A2/Stainless steel A2	10
	Countersunk 100°	Stainless steel A2/Stainless steel A2	11
	Truss head	Stainless steel A4/stainless steel A4	12
	Countersunk 100°	Stainless steel A4/stainless steel A4	13

TIFAS® M-Lock blind rivets



A high-strength blind rivet that remains snug even under dynamic load. Holes can be prepared to ensure joints are water and airtight. The mandrel always breaks flush, even when materials of varying strengths and thicknesses are present within the grip range. The blind side footprint is minimal. The gripping area is large. Also available in A4 stainless steel.



Benefits at a glance

- Universal use
- The mandrel draws itself into the sleeve, causing the sleeve to widen and completely fill the bore hole; ideal for dynamic loads.
- Mandrel always breaks off flush at the snap head
- Large grip range
- The securely fitting mandrel makes for vibration-resistant applications
- Combines various materials such as metals and plastics
- Quick and secure installation
- Permanent secure fixing
- Heatless installation means component will not warp.
- Eliminates extensive refinishing



Applications

- General industry
- Automotive industry
- Construction industry
- Bodywork and vehicle manufacture

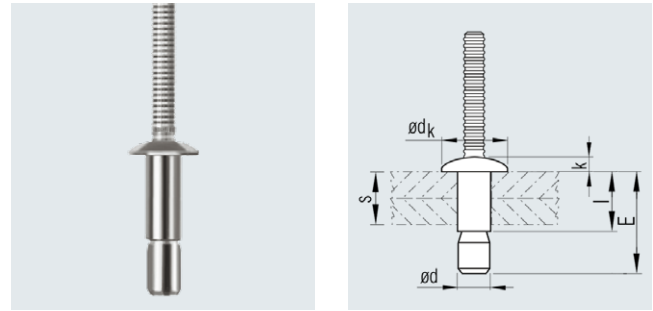
TIFAS® M-Lock blind rivets

Truss head

Material

Sleeve
Steel SAE 1006/1020M,
galvanised, passivated

Mandrel
Steel AISI 10B21,
galvanised, passivated



Nominal \varnothing d [mm]	Bore \varnothing [mm]	Grip range s [mm]	Blind sleeve		Blind rivet head		Nominal strength at break*		Article No.
			$l \pm 0.3$ [mm]	E max. [mm]	$d_k \pm 0.4$ [mm]	Height k ± 0.3 [mm]	Shear N	Tensile N	
4.8	4.9 - 5.1	1.6 - 6.9	10.5	17,2	9.8	2.1	5780	4440	415 810 001
		5.4 - 11.1	14.5	21,0	9.8	2.1	5780	4440	415 811 001
		1.6 - 11.1	14.5	24,1	9.8	2.1	5780	4440	415 812 001
6.4	6.6 - 6.9	2.0 - 9.5	14.2	24,6	13.0	2.8	10790	8220	415 820 001
		8.9 - 15.9	20.5	31,0	13.0	2.8	10790	8220	415 821 002
		2.0 - 15.9	20.5	35,7	13.0	2.8	10790	8220	415 822 001

* Strengths at break relate to rivet failure.

Other designs available on request.

TIFAS® M-Lock blind rivets

Countersunk 100°

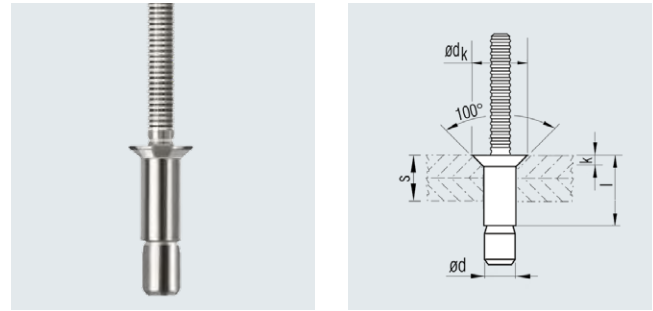
Material

Sleeve

Steel SAE 1006/1020M,
galvanised, passivated

Mandrel

Steel AISI 10B21,
galvanised, passivated



Nominal \emptyset d [mm]	Bore \emptyset [mm]	Grip range s [mm]	Blind sleeve		Blind rivet head		Nominal strength at break*		Article No.
			l ± 0.3 [mm]	E max. [mm]	$dk \pm 0.3$ [mm]	Height k ± 0.3 [mm]	Shear N	Tensile N	
4.8	4.9 - 5.1	3.2 - 8.4	12.3	19,4	8.6	1.8	5780	4220	415 850 001
		7.8 - 12.7	16.6	23,6	8.6	1.8	5780	4220	415 851 001
6.4	6.6 - 6.9	4.1 - 12.1	16.7	26,9	10.0	2.0	11280	8900	415 860 001
		10.5 - 18.4	23.0	33,3	10.0	2.0	11280	8900	415 861 001

* Strengths at break relate to rivet failure.

Other designs available on request.

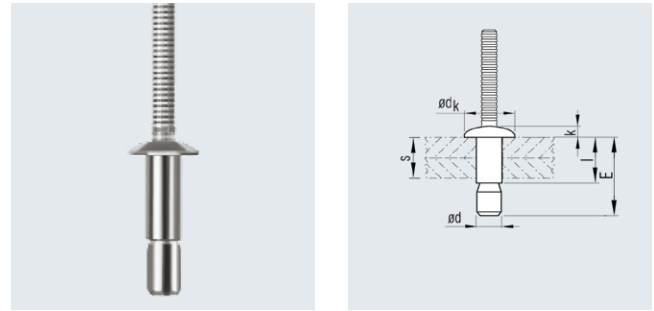
TIFAS® M-Lock blind rivets

Truss head

Material

Sleeve
Aluminium AA 5056,

Mandrel
Aluminium AA 7075,



Nominal \varnothing d [mm]	Bore \varnothing [mm]	Grip range s [mm]	Blind sleeve		Blind rivet head		Nominal strength at break*		Article No.
			$l \pm 0.3$ [mm]	E max. [mm]	$dk \pm 0.4$ [mm]	Height k ± 0.3 [mm]	Shear N	Tensile N	
4.8	4.9 - 5.1	1.6 - 6.9	10.5	17,2	9.8	2.1	2690	2220	415 830 001
		5.4 - 11.1	14.5	21,0	9.8	2.1	2690	2220	415 831 001
		1.6 - 11.1	14.5	24,1	9.8	2.1	2690	2220	415 832 001
6.4	6.6 - 6.9	2.0 - 9.5	14.2	24,6	13	2.8	5780	3900	415 840 001
		8.9 - 15.9	20.5	31,0	13	2.8	5780	3900	415 841 901
		2.0 - 15.9	20.5	35,7	13	2.8	5780	3900	415 842 001

* Strengths at break relate to rivet failure.

Other designs available on request.

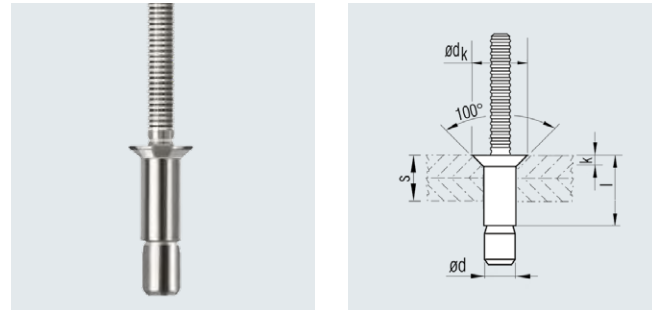
TIFAS® M-Lock blind rivets

Countersunk 100°

Material

Sleeve
Aluminium AA 5056,

Mandrel
Aluminium AA 7075,



Nominal \varnothing d [mm]	Bore \varnothing [mm]	Grip range s [mm]	Blind sleeve		Blind rivet head		Nominal strength at break*		Article No.
			l ± 0.3 [mm]	E max. [mm]	$d_k \pm 0.3$ [mm]	Height k ± 0.3 [mm]	Shear N	Tensile N	
4.8	4.9 - 5.1	3.2 - 8.4	12.3	19,4	8.5	1.8	3110	2220	415 870 901
		7.8 - 12.7	16.6	23,6	8.5	1.8	3110	2220	415 871 901
6.4	6.6 - 6.9	4.1 - 12.1	16.7	26,9	10.0	2.0	5780	3950	415 880 901
		10.5 - 18.4	23.0	33,3	10.0	2.0	5780	3950	415 881 901

* Strengths at break relate to rivet failure.

Other designs available on request.

TIFAS® M-Lock blind rivets

Truss head

Material

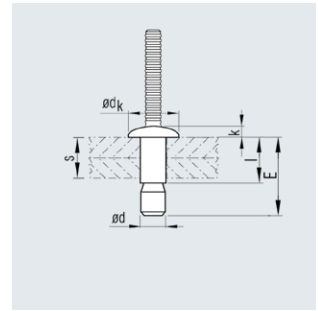
Sleeve

Stainless steel AISI 304CU,
passivated



Mandrel

Stainless steel AISI 304
passivated



Nominal \varnothing d [mm]	Bore \varnothing [mm]	Grip range s [mm]	Blind sleeve		Blind rivet head		Nominal strength at break*		Article No.
			$l \pm 0.3$ [mm]	E max. [mm]	$dk \pm 0.4$ [mm]	Height k ± 0.3 [mm]	Shear N	Tensile N	
4.8	4.9 - 5.1	1.6 - 6.9	10.5	17,2	9.8	2.1	5780	4200	415 910 001
		5.4 - 11.1	14.5	21,0	9.8	2.1	5780	4200	415 911 001
6.4	6.6 - 6.9	2.0 - 9.5	14.2	24,6	13.0	2.8	11100	8800	415 920 001
		8.9 - 15.9	20.5	31,0	13.0	2.8	11100	8800	415 921 001

* Strengths at break relate to rivet failure.

Other designs available on request.

TIFAS® M-Lock blind rivets

Countersunk 100°

Material

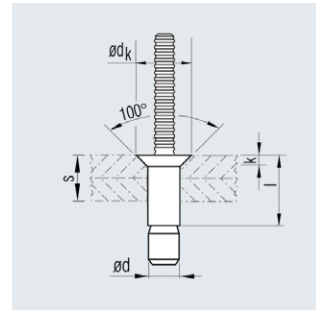
Sleeve

Stainless steel AISI 302/304,
passivated



Mandrel

Stainless steel AISI 305/304



Nominal \varnothing d [mm]	Bore \varnothing [mm]	Grip range s [mm]	Blind sleeve		Blind rivet head		Nominal strength at break*		Article No.
			l ± 0.3 [mm]	E max. [mm]	\varnothing dk ± 0.3 [mm]	Height k ± 0.3 [mm]	Shear N	Tensile N	
4.8	4.9 - 5.1	3.2 - 8.4	12.3	19.4	8.6	1.8	5780	4210	415 950 001
		7.8 - 12.7	16.5	23.6	8.6	1.8	5780	4210	415 951 001
6.4	6.6 - 6.9	4.1 - 12.1	16.7	26.9	10.0	2.0	11120	8890	415 960 001
		10.6 - 18.4	23.0	33.3	10.0	2.0	11120	8890	415 961 001

* Strengths at break relate to rivet failure.

Other designs available on request.

TIFAS® M-Lock blind rivets

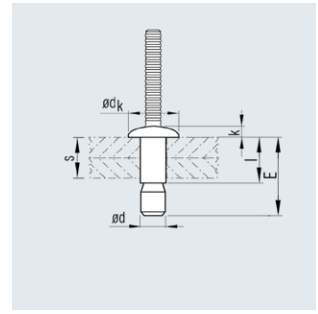
Truss head

Material

Sleeve
Stainless steel A4



Mandrel
Stainless steel A4



Nominal \varnothing d [mm]	Bore \varnothing [mm]	Grip range s [mm]	Blind sleeve		Blind rivet head		Nominal strength at break*		Article No.
			$l \pm 0.3$ [mm]	E max. [mm]	$dk \pm 0.3$ [mm]	Height k ± 0.3 [mm]	Shear N	Tensile N	
4.8	4.9 - 5.1	1.6 - 6.9	10.5	17,2	9.8	2.1	5780	4200	415 970 000
		5.4 - 11.1	14.5	21,0	9.8	2.1	5780	4440	415 971 000
		1.6 - 11.1	14.5	24,1	9.8	2.1	5780	4440	415 972 000
6.4	6.6 - 6.9	2.0 - 9.5	14.2	24,6	13.0	2.8	10790	8220	415 975 000
		8.9 - 15.9	20.5	31,0	13.0	2.8	10790	8220	415 976 000
		2.0 - 15.9	20.5	35,7	13.0	2.8	10790	8220	415 977 000

* Strengths at break relate to rivet failure.

Other designs available on request.

TIFAS® M-Lock blind rivets

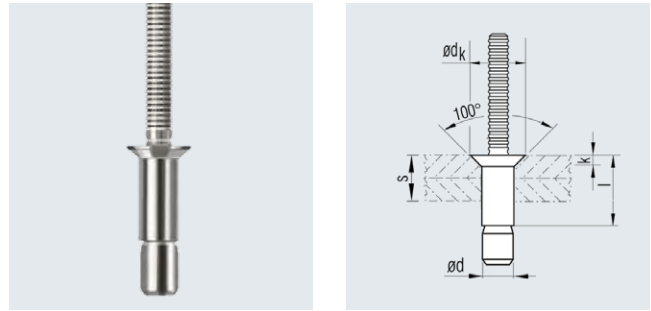
Countersunk 100°

Material

Sleeve
Stainless steel A4



Mandrel
Stainless steel A4



Nominal \emptyset d [mm]	Bore \emptyset [mm]	Grip range s [mm]	Blind sleeve		Blind rivet head		Nominal strength at break*		Article No.
			I +1.0 -0.2 [mm]	E max. [mm]	$dk \pm 0.3$ [mm]	Height k ± 0.3 [mm]	Shear N	Tensile N	
4.8	4.9 - 5.1	3.2 - 8.4	12.3	19,4	8.6	1.8	6200	4700	415 980 000
		7.8 - 12.7	16.6	23,6	8.6	1.8	6200	4700	415 981 000
6.4	6.6 - 6.9	4.1 - 12.1	16.7	26,9	10.0	2.0	11700	8900	415 985 000
		10.5 - 18.4	23.0	33,3	10.0	2.0	11700	8900	415 986 000

* Strengths at break relate to rivet failure.

Other designs available on request.

Notes

A large grid area for taking notes, consisting of 30 columns and 40 rows of small squares.

Copyright

All texts, images, technical documents and other information contained in this catalogue are subject to copyright held by Titgemeyer GmbH & Co. KG. Any reproduction or disclosure, whether as a copy or other form of duplication or use, is expressly prohibited without the prior consent of Titgemeyer GmbH & Co. KG.

Registered trademarks

The trademarks BÖRTI, GETO, GETO therm, GETOVAN, GTO, LockBolt, MEGA PORT, plasti van, PLYFIX, POLYSTIC, press-ti, RIEKO, RIV-TI, ROLL-TO, TIBOLT, TIBULB, TIFAS, TILA, TIOS and Titgemeyer are registered trademarks and the intellectual property of Titgemeyer GmbH & Co. KG.

Term of Delivery and Payment

All deliveries are carried out in compliance with our Terms of Delivery and Payment.

Limitation of liability

All technical data, performance descriptions, drawings, illustrations, measurements, weights or any other performance data, recommendations and guidelines contained in this catalogue and relating to the installation of parts that we supply are only binding if so expressly agreed. Moreover, the user is obliged at all times to check each individual use and decide whether the components that we supply can be used as needed.

We accept liability in the case of wilful intent, gross negligence and infringement of cardinal contractual duties as well as for errors in respect of express or implied representations. Notwithstanding this, any claims for compensation not explicitly agreed to in these terms and conditions are hereby excluded in the case of customers who are not consumers and, in the case of such customers, who are not consumers, at all events limited to the damage foreseeable at the time of concluding the contract as well as to the value of the delivered consignment. To the extent that our liability is excluded or limited, this shall extend accordingly to the personal liability of employees, legal representatives and vicarious agents. In all instances of gross negligence committed by vicarious agents, we shall solely be liable to customers, who are not consumers, to compensate for typically foreseeable damage. The statutory regulation governing the burden of proof shall remain unaffected. The aforementioned limitation of liability shall not apply to claims resulting from product liability, for damage resulting from injury to life, limb or health, or for damage to privately used property.

All technical specifications contained in this brochure are approximate and no guarantee is given as to their accuracy. Designs are subject to change.

About us

The Titgemeyer Group is a leading company for fastening technology and vehicle components at 15 locations in Europe.

The traditional company develops, manufactures and sells more than 30,000 fastening elements, tools and vehicle components – in series production and on request.

Headquarters

Titgemeyer GmbH & Co. KG
Hannoversche Straße 97
49084 Osnabrück / DE

PO Box 4320
49033 Osnabrück / DE

T +49 541 5822-0
E info@titgemeyer.com
W titgemeyer.com



Sales locations

Titgemeyer Austria GmbH
Brunner Straße 77 - 79
1230 Wien / AT

T +43 (0) 1/6 67 90 40 - 0
E sales@titgemeyer.com
W titgemeyer.at

Titgemeyer CZ spol. s r. o.
U Vodárny 1506
397 01 Písek / CZ

T +420 382 2067 - 25
E sales@titgemeyer.com
W titgemeyercz.cz

Titgemeyer Polska sp. z o.o.
Cypriana Bazylika 17
98-200 Sieradz / PL

T +48 (0) 43 828 20 - 15
E sales@titgemeyer.com
W titgemeyer.pl

Titgemeyer Skandinavien A/S
Lunikvej 32
2670 Greve / DK

T +45 4360 0966
E info@titgemeyer.dk
W titgemeyer.dk

Titgemeyer Skandinavien A/S
Box 3218
550 03 Jönköping / SE

T +46 36 128350
E info@titgemeyer.se
W titgemeyer.se

Titgemeyer Skandinavien A/S
Korkeakoulunkatu 7
33720 Tampere / FI

T +358 (0) 400 448 401
E info@titgemeyer.fi
W titgemeyer.fi

Titgemeyer Turkey Baglanti Teknolojileri San. ve Tic. A.S.
Barbaros Mah. Is Merkezi No.1
Kat: 8 D.58
34746 Atasehir, Istanbul / TUR

T +90 (0) 21 66 88 20 - 27
E sales@titgemeyer.com.tr
W titgemeyer.com.tr

Titgemeyer (UK) Limited
A2 Link One Industrial Park
George Henry Road
DY4 7BU Tipton / UK

T +44 (0) 1 21 5 57 97 - 77
E sales@titgemeyer.co.uk
W titgemeyer.co.uk

Production sites

Cirteq Limited
'Hayfield' Colne Road,
Glusburn, Keighley,
West Yorkshire, BD20 8QP

T +44 1535 633333
E sales@cirteq.com
W cirteq.com

Titgemeyer Tools & Automation spol s.r.o.
U Vodárny 1506
397 01 Písek / CZ

T +42 382 2067 - 11
E info@rivetec.cz
W rivetec.cz

RIEKO GmbH
Robert-Bosch-Straße 9
72124 Pliezhausen / DE

T +49 7127 9744 - 0
E info@rieko-web.com
W rieko-web.com

Titgemeyer GmbH & Co. KG Werk Lotte
Daimlerstraße 13 - 15
49504 Lotte / DE

T +49 5404 9666 - 0
E info@titgemeyer.com
W titgemeyer.com

TS Gesellschaft für Transport- und Sicherungssysteme mbH
Haßlinghauser Straße 156
58285 Gevelsberg / DE

T +49 541 5822 - 900
E ts@cargocontrol.de
W wir-sind-ladungssicherung.de